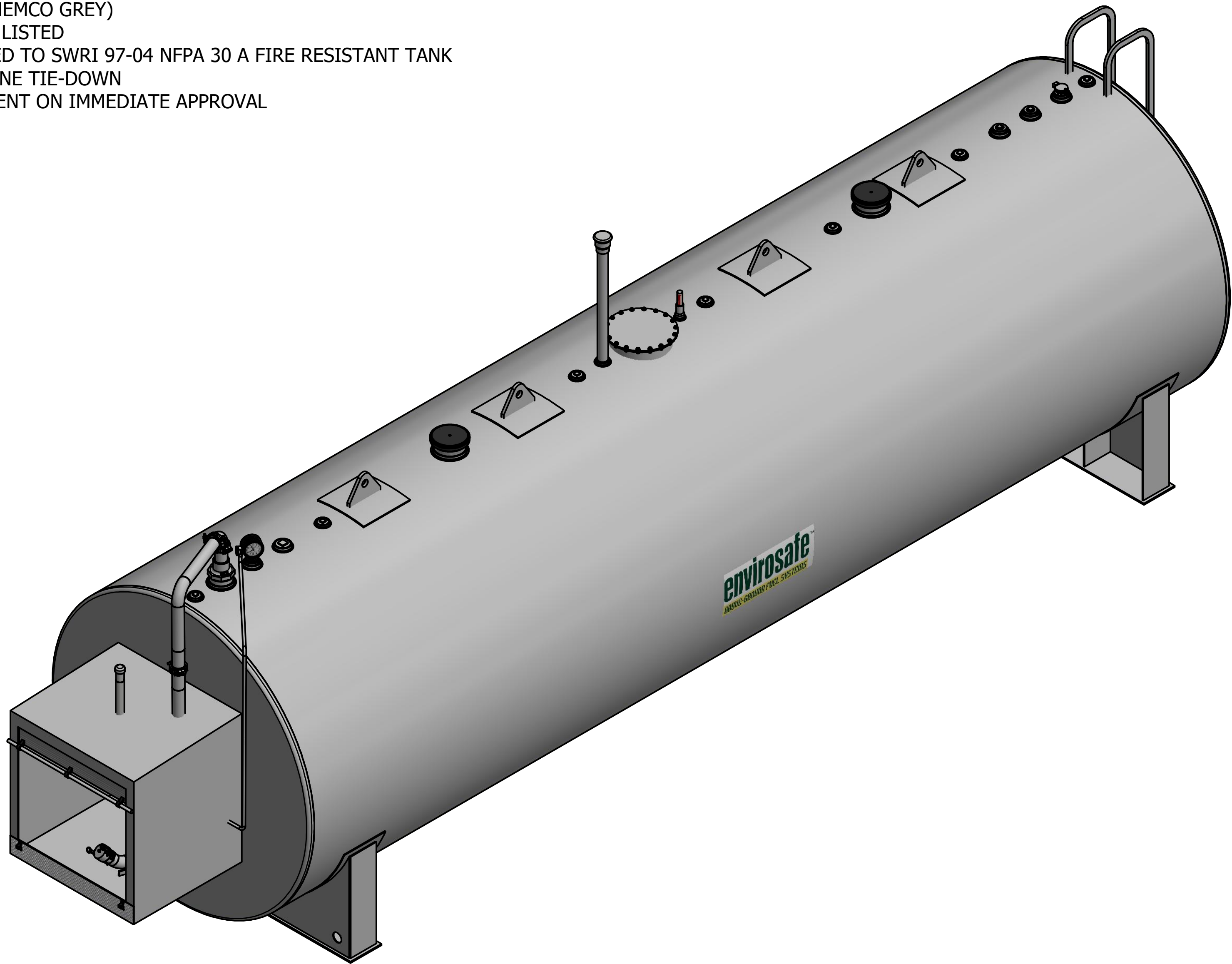


NOTES:

1. GAS/DIESEL USE
2. ENVIROLASTIC 940 DTM POLYASPARTIC URETHANE COATING FOR HIGH PERFORMANCE FINISH (MEMCO GREY)
3. UL 2085 LABELED AND LISTED
4. 2 HOUR RATING TESTED TO SWRI 97-04 NFPA 30 A FIRE RESISTANT TANK
5. ENGINEERED HURRICANE TIE-DOWN
6. LEAD TIME IS DEPENDENT ON IMMEDIATE APPROVAL




LEAD TIMES BEGIN UPON RECEIPT OF SIGNED APPROVED DRAWING, WHICH MUST BE RETURNED BEFORE PRODUCTION CAN BEGIN

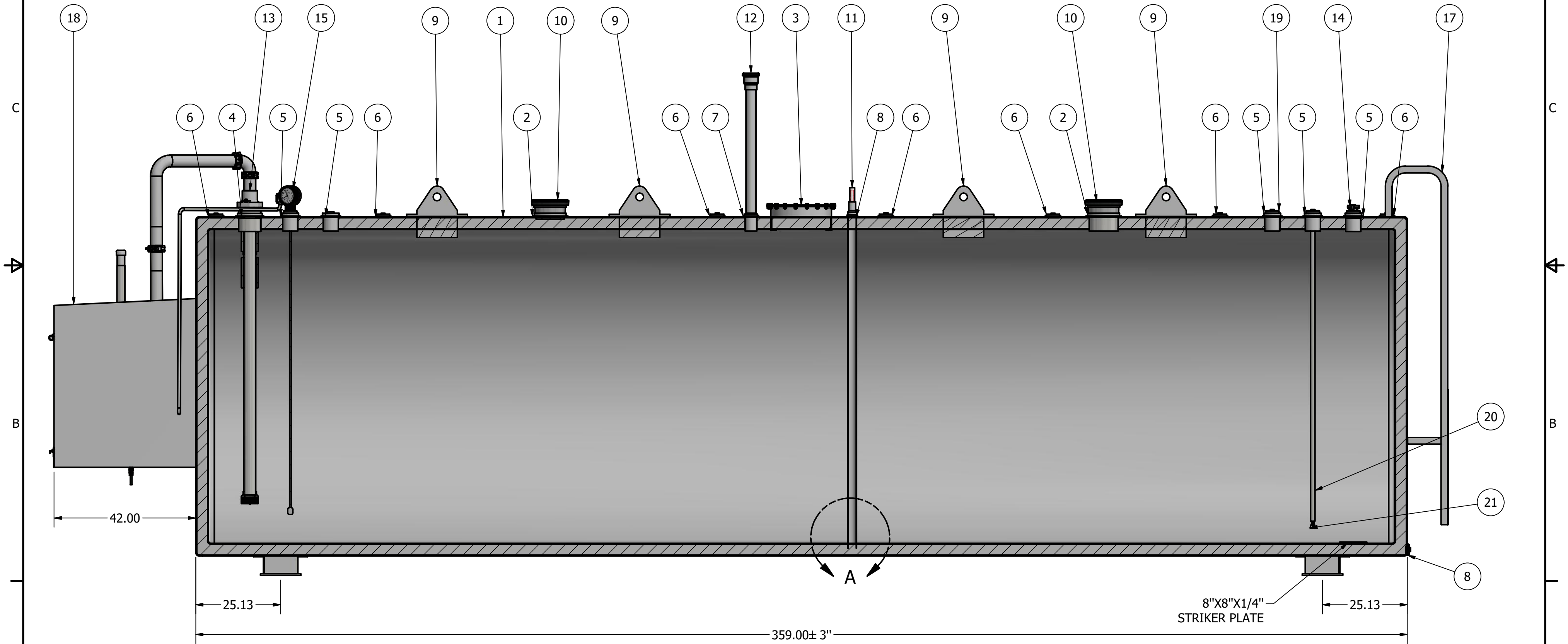
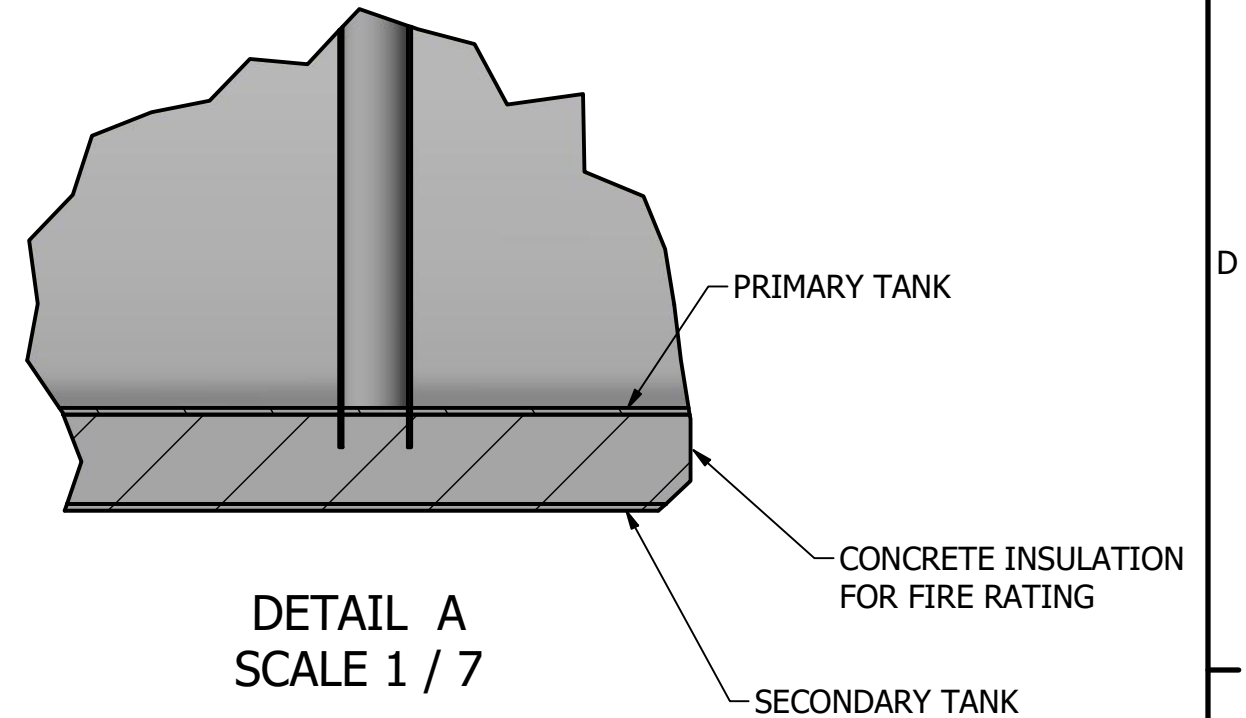
#

STI
SwRI
UL

This document and all information and design thereon are the property of Envirosafe Fuel Systems. This document is confidential and must not be made public or copied without written authorization from Envirosafe and is subject to return upon demand. No use of this document or any design thereon is permitted except as is specifically authorized in writing by Envirosafe. Acceptance of possession of this document constitutes full agreement with the above conditions. All Rights Reserved. Memco, Inc

DRAWN BY	4/15/2019	MEMCO, INC	
MEMCO REP		 10,000 GALLON FIREGUARD GENERATOR TANK	
QUOTE #			
Customer Approval Signature		SIZE	DWG NO
CUSTOMER REQUESTED COMPLETION DATE :		C	
		SCALE	
			SHEET 1 OF 5

PARTS LIST			PARTS LIST		
ITEM	QTY	DESCRIPTION	ITEM	QTY	DESCRIPTION
1	1	10,000 FIREGUARD TANK MOUNTED ON SADDLES	13	1	3" OVERFILL PREVENTION VALVE WITH DIFFUSER AND TEST MECHANISM
2	2	8 IN NPT THREADED FLANGE	14	1	MONITORING CAP 2"
3	1	18" MANWAY FOR EASY INNER TANK ACCESSIBILITY	15	1	918 CLOCK GAUGE WITH ALARM BOX & STANDARD FLOAT
4	1	6 IN NPT THREADED FLANGE	16	1	3" GROUND LEVEL FILL WITH DUST CAP AND ADAPTOR
5	5	4 IN NPT THREADED FLANGE	17	1	STEP LADDER WITH SAFETY SHIELD
6	7	3" NPT THREADED FLANGE (CONCRETE PORT)	18	1	UL LISTED LOCKABLE 3'6"x4"x4'2" FILL BOX CROSS BROKEN FOR EASY DRAINAGE WITH 2" VENT, 1/2" BRASS BALL VALVE
7	1	3 IN NPT THREADED FLANGE	19	1	MEMCO 1" RETURN LINE FITTINGS ONLY
8	1	2 IN NPT THREADED FLANGE	20	1	1" PICK UP DROP TUBE 6" ABOVE FROM BOTTOM OF TANK
9	4	LIFTING LUG	21	1	1" FOOT VALVE SINGLE POPPET
10	2	VENT EMERGENCY 8IN 8OZ./SQ.IN- MALE THREAD- w/O-RING	22	1	TANK DECAL KIT (NOT SHOWN)
11	1	INTERSTITIAL LEAK GAUGE	23	1	TOUCH UP PAINT (NOT SHOWN & SHIPPED SEPARATELY)
12	1	3" UPDRAFT STACK W/3" 354 SLIP ON			



LEAD TIMES BEGIN UPON RECEIPT OF SIGNED APPROVED DRAWING, WHICH MUST BE RETURNED BEFORE PRODUCTION CAN BEGIN

#

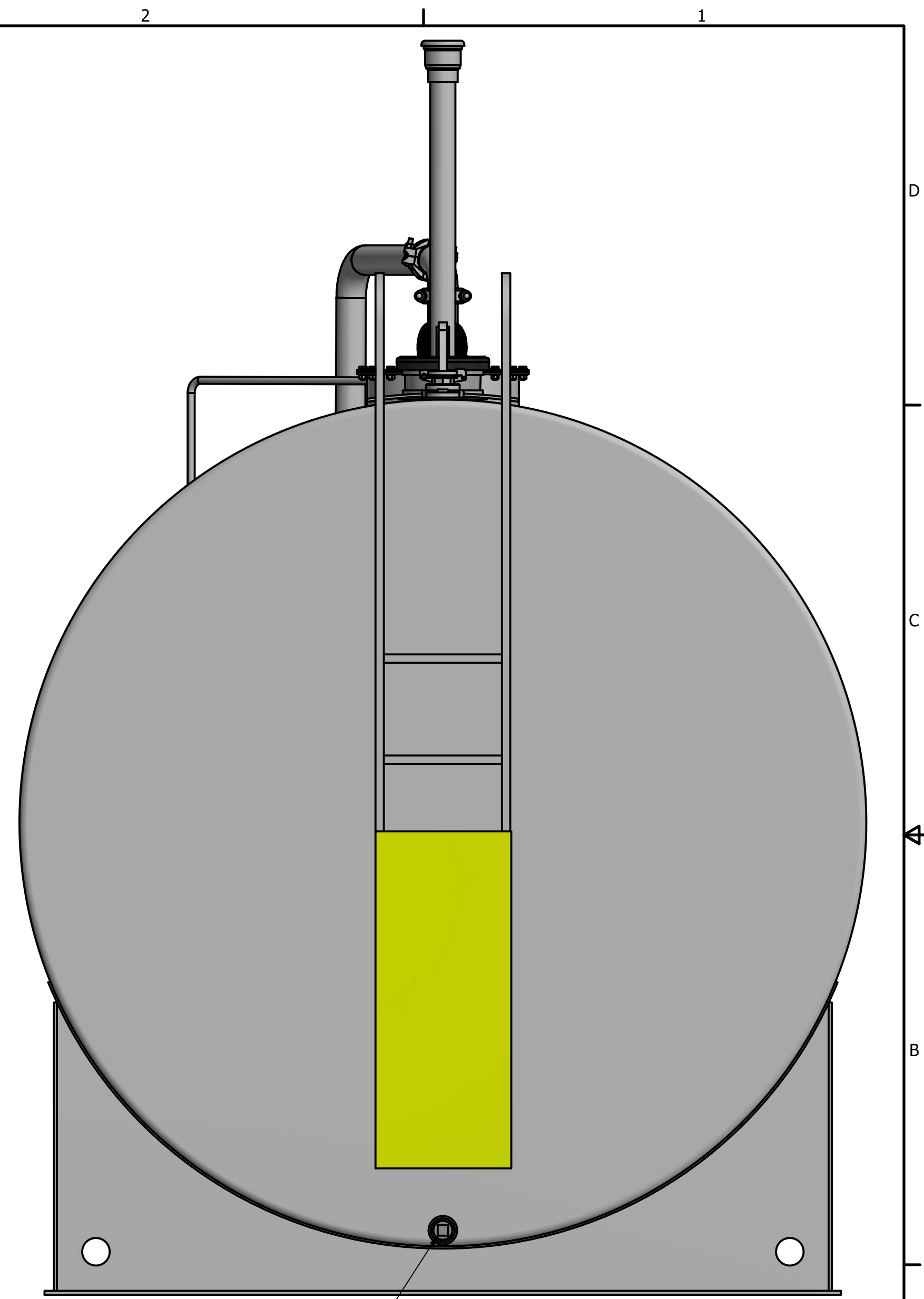
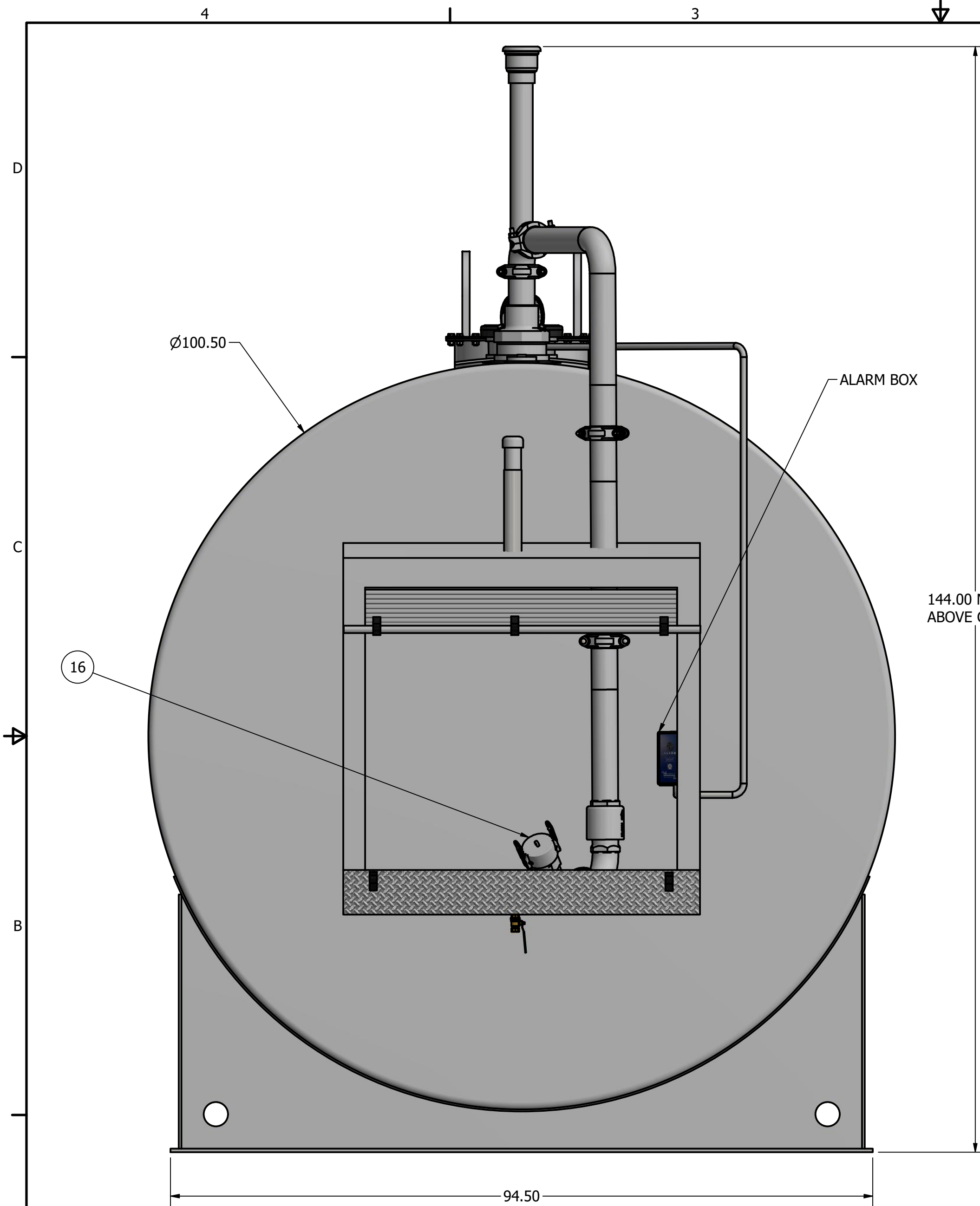
SHELL THICKNESS: 1/4"
HEAD THICKNESS: 5/16"

STI
SwRI
UL

This document and all information and design thereon are the property of Envirosafe Fuel Systems. This document is confidential and must not be made public or copied without written authorization from Envirosafe and is subject to return upon demand. No use of this document or any design thereon is permitted except as is specifically authorized in writing by Envirosafe. Acceptance of possession of this document constitutes full agreement with the above conditions. All Rights Reserved. Memco, Inc

DRAWN BY	4/15/2019
MEMCO REP	
QUOTE #	
Customer Approval Signature	

MEMCO, INC		
10,000 GALLON FIREGUARD GENERATOR TANK		
envirosafe™ ABOVE-GROUND FUEL SYSTEMS		
SIZE	DWG NO	REV
C		
SCALE	SHEET 2 OF 5	




144.00 MIN.
ABOVE GRADE

FOR MANUFACTURING
USE ONLY

*LEAD TIMES BEGIN UPON RECEIPT OF SIGNED APPROVED
DRAWING, WHICH MUST BE RETURNED BEFORE
PRODUCTION CAN BEGIN* #

This document and all information and design thereon are the property of Envirosafe Fuel Systems. This document is confidential and must not be made public or copied without written authorization from Envirosafe and is subject to return upon demand. No use of this document or any design thereon is permitted except as is specifically authorized in writing by Envirosafe. Acceptance of possession of this document constitutes full agreement with the above conditions. All Rights Reserved. Memco, Inc

STI
SwRI
UL

DRAWN BY	4/15/2019	MEMCO, INC	
MEMCO REP		 10,000 GALLON FIREGUARD GENERATOR TANK	
QUOTE #			
Customer Approval Signature		SIZE C	DWG NO
		SCALE	REV
		SHEET 3 OF 5	