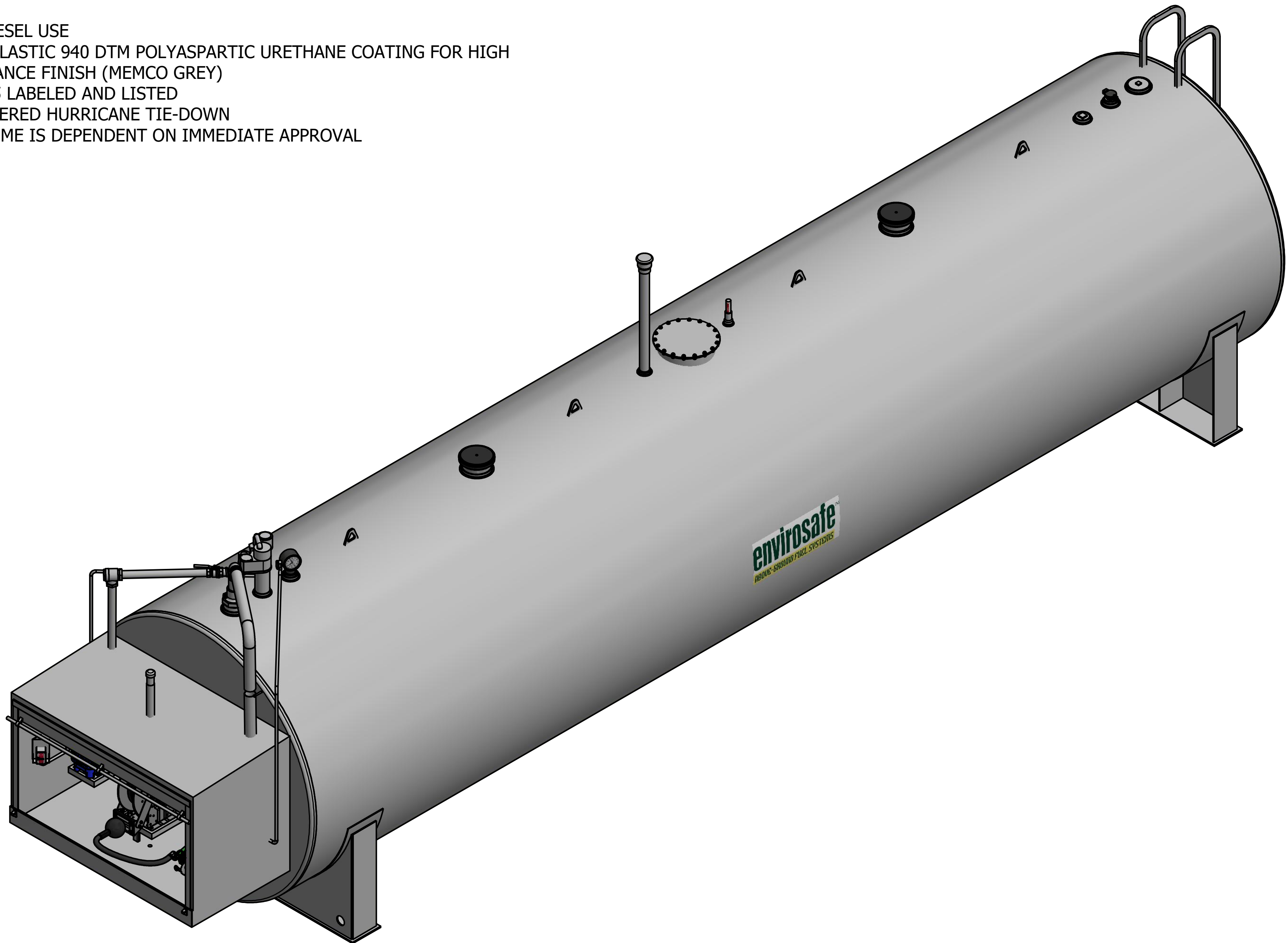


- NOTES:
1. GAS/DIESEL USE
 2. ENVIROLASTIC 940 DTM POLYASPARTIC URETHANE COATING FOR HIGH PERFORMANCE FINISH (MEMCO GREY)
 3. UL 2085 LABELED AND LISTED
 4. ENGINEERED HURRICANE TIE-DOWN
 5. LEAD TIME IS DEPENDENT ON IMMEDIATE APPROVAL




LEAD TIMES BEGIN UPON RECEIPT OF SIGNED APPROVED DRAWING, WHICH MUST BE RETURNED BEFORE PRODUCTION CAN BEGIN

#

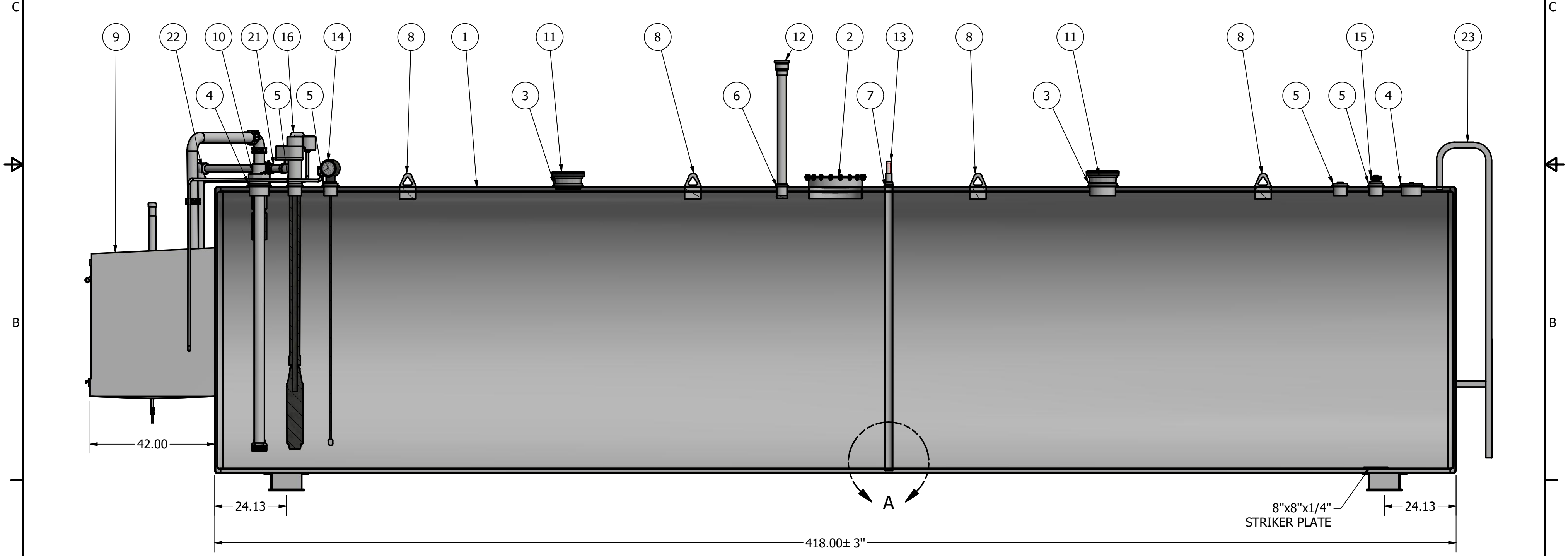
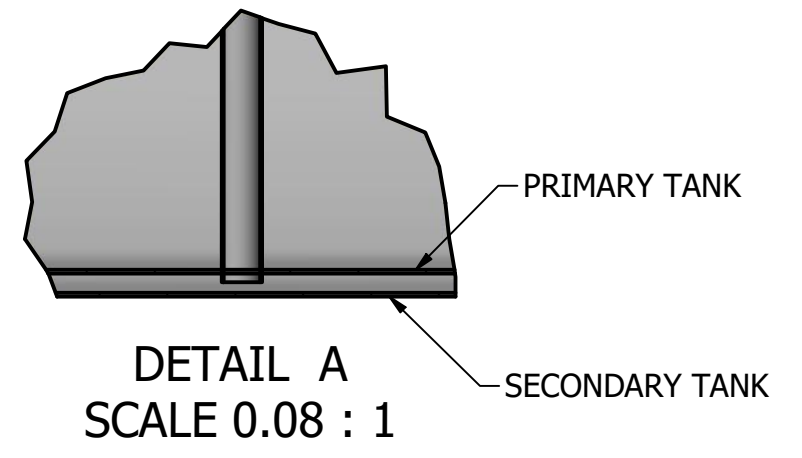
STI
SwRI
UL

This document and all information and design thereon are the property of Envirosafe Fuel Systems. This document is confidential and must not be made public or copied without written authorization from Envirosafe and is subject to return upon demand. No use of this document or any design thereon is permitted except as is specifically authorized in writing by Envirosafe. Acceptance of possession of this document constitutes full agreement with the above conditions. All Rights Reserved. Memco, Inc

DRAWN BY AP	7/26/2019	MEMCO, INC	
MEMCO REP		 12,000 GALLON FLAMESHIELD TANK COMMERCIAL FLEET	
QUOTE #			
Customer Approval Signature		SIZE C	DWG NO
CUSTOMER REQUESTED COMPLETION DATE :		SCALE	REV
		SHEET 1 OF 5	

PARTS LIST		
ITEM	QTY	DESCRIPTION
1	1	12,000 GALLON FLAMESHIELD TANK MOUNTED ON SADDLES
2	1	18" MANWAY FOR EASY INNER TANK ACCESSIBILITY
3	2	8 IN NPT THREADED FLANGE
4	2	6 IN NPT THREADED FLANGE
5	4	4 IN NPT THREADED FLANGE
6	1	3 IN NPT THREADED FLANGE
7	1	2 IN NPT THREADED FLANGE
8	4	LIFTING LUG
9	1	UL LISTED LOCKABLE FILL BOX 3'6" X 6'6" X 4'2" CROSS BROKEN FOR EASY DRAINAGE, 2" VENT, MUSHROOM CAP, 1/2 BALL VLAVE
10	1	3" OVERFILL PREVENTION VALVE WITH TEST MECHANISM AND DIFFUSER
11	2	VENT EMERGENCY 8IN 8OZ./SQ.IN- MALE THREAD- w/O-RING
12	1	3" UPDRAFT STACK W/3" 354 SLIP ON
13	1	INTERSTITIAL LEAK GAUGE
14	1	918 CLOCK GAUGE WITH ALARM BOX & STANDARD FLOAT

PARTS LIST		
ITEM	QTY	DESCRIPTION
15	1	MONITORING CAP 2"
16	1	FE PETRO 3/4 HP w/RISER, 88IN - 149IN (240V 1 PH)
17	1	3" GROUND LEVEL FILL WITH DUST CAP AND ADAPTOR
18	1	TOTAL CONTROL 682-15 PISTON METER WITH 10:1 PULSER
19	1	CIM-TEK 1 1/2" FILTER ADAPTER, 1" SPIN-ON FILTER
20	1	VALVE BALL 1-1/2IN
21	1	VALVE BALL 2IN
22	1	2" ANTI-SYPHON VALVE
23	1	STEP LADDER WITH SAFETY SHIELD
24	1	PUMP SWITCH, COVER & BACKPLATE, 1/2" EXPLOSION PROOF BOX
25	1	3/4" HANNAY HOSE REEL, RIGHT INLET
26	1	TANK DECAL KIT (NOT SHOWN)
27	6	1" REPLACEMENT FILTERS (NOT SHOWN AND SHIPPED SEPARATELY)
28	1	TOUCH UP PAINT (NOT SHOWN AND SHIPPED SEPARATELY)



LEAD TIMES BEGIN UPON RECEIPT OF SIGNED APPROVED DRAWING, WHICH MUST BE RETURNED BEFORE PRODUCTION CAN BEGIN



SHELL THICKNESS: 1/4"
PRI. HEAD THICKNESS: 5/16"
SEC. HEAD THICKNESS: 1/4"

STI
SwRI
UL

This document and all information and design thereon are the property of Envirosafe Fuel Systems. This document is confidential and must not be made public or copied without written authorization from Envirosafe and is subject to return upon demand. No use of this document or any design thereon is permitted except as is specifically authorized in writing by Envirosafe. Acceptance of possession of this document constitutes full agreement with the above conditions. All Rights Reserved. Memco, Inc

DRAWN BY	7/26/2019
AP	
MEMCO REP	
QUOTE #	
Customer Approval Signature	

MEMCO, INC		
12,000 GALLON FLAMESHIELD TANK COMMERCIAL FLEET		
SIZE	DWG NO	REV
C		
SCALE	SHEET 2 OF 5	

D

D

C

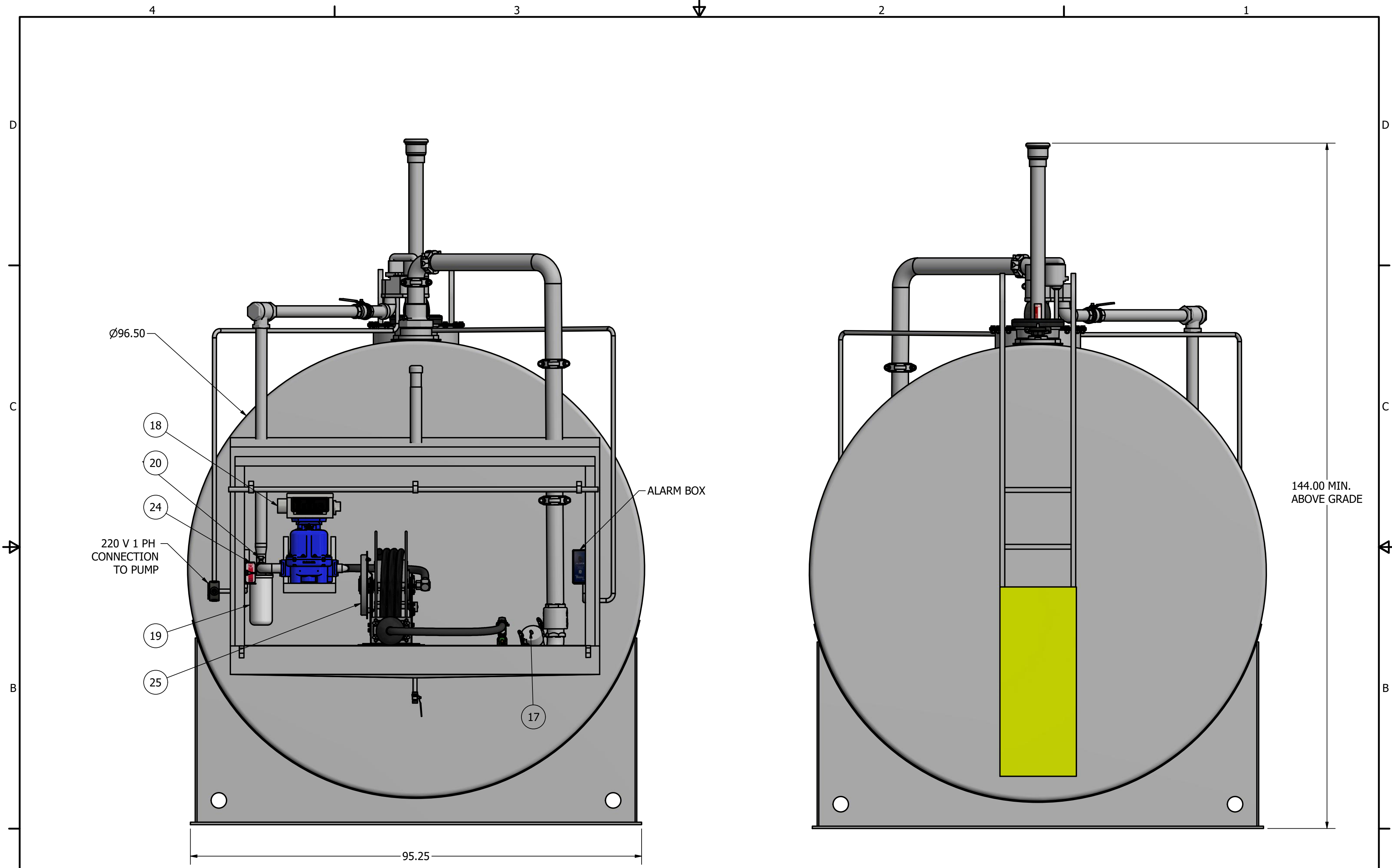
C

B

B

A

A



Ø96.50

18

20

24

220 V 1 PH
CONNECTION
TO PUMP

19

25

17

ALARM BOX

95.25


144.00 MIN.
ABOVE GRADE

*LEAD TIMES BEGIN UPON RECEIPT OF SIGNED APPROVED
DRAWING, WHICH MUST BE RETURNED BEFORE
PRODUCTION CAN BEGIN*

#

STI
SwRI
UL

This document and all information and design thereon are the property of Envirosafe Fuel Systems. This document is confidential and must not be made public or copied without written authorization from Envirosafe and is subject to return upon demand. No use of this document or any design thereon is permitted except as is specifically authorized in writing by Envirosafe. Acceptance of possession of this document constitutes full agreement with the above conditions. All Rights Reserved. Memco, Inc

DRAWN BY AP	7/26/2019	MEMCO, INC	
MEMCO REP		 12,000 GALLON FLAMESHIELD TANK COMMERCIAL FLEET	
QUOTE #			
Customer Approval Signature		SIZE C	DWG NO
		SCALE	REV
		SHEET 3 OF 5	