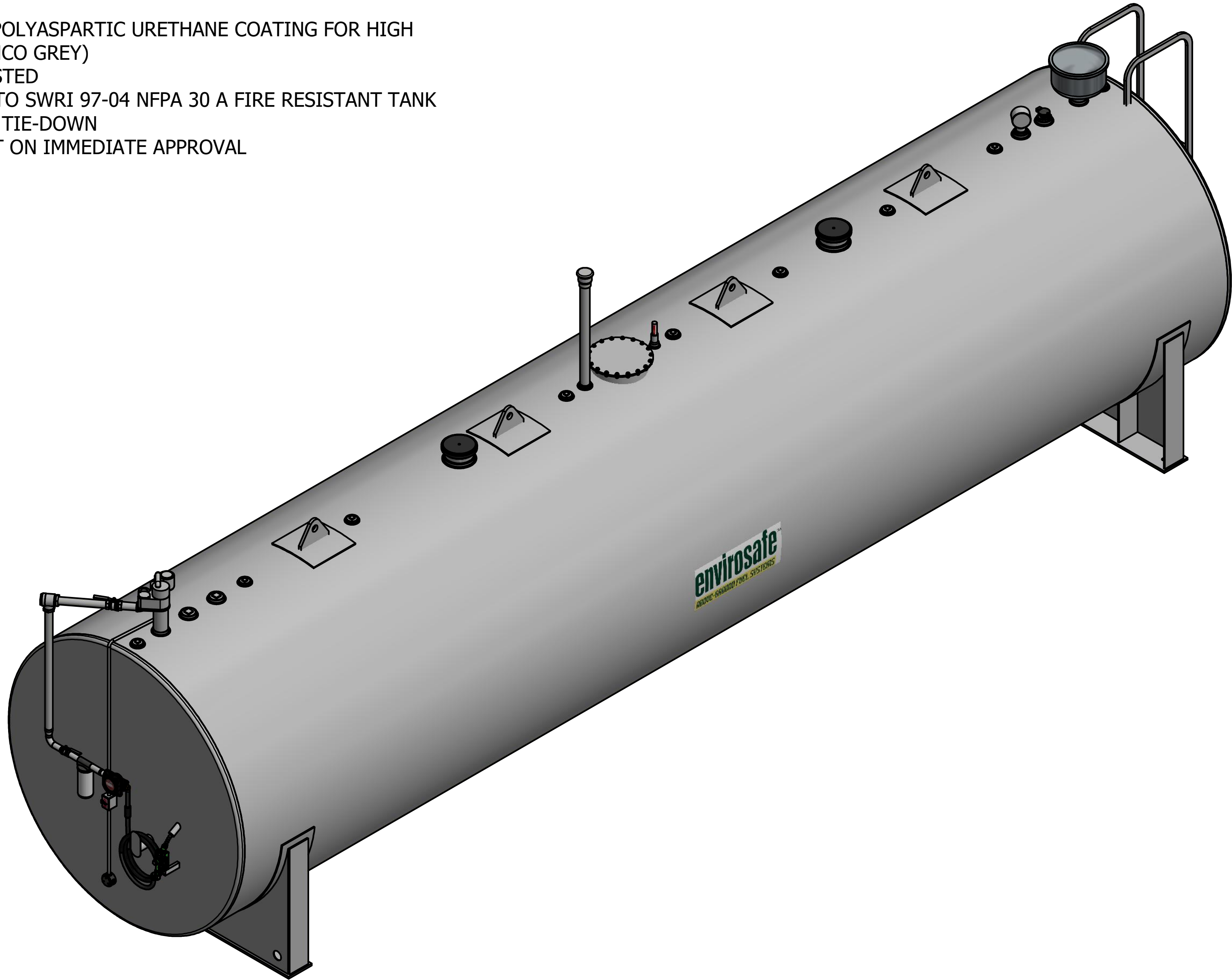


- NOTES:
1. GAS/DIESEL USE
 2. ENVIROLASTIC 940 DTM POLYASPARTIC URETHANE COATING FOR HIGH PERFORMANCE FINISH (MEMCO GREY)
 3. UL 2085 LABELED AND LISTED
 4. 2 HOUR RATING TESTED TO SWRI 97-04 NFPA 30 A FIRE RESISTANT TANK
 5. ENGINEERED HURRICANE TIE-DOWN
 6. LEAD TIME IS DEPENDENT ON IMMEDIATE APPROVAL



LEAD TIMES BEGIN UPON RECEIPT OF SIGNED APPROVED DRAWING, WHICH MUST BE RETURNED BEFORE PRODUCTION CAN BEGIN

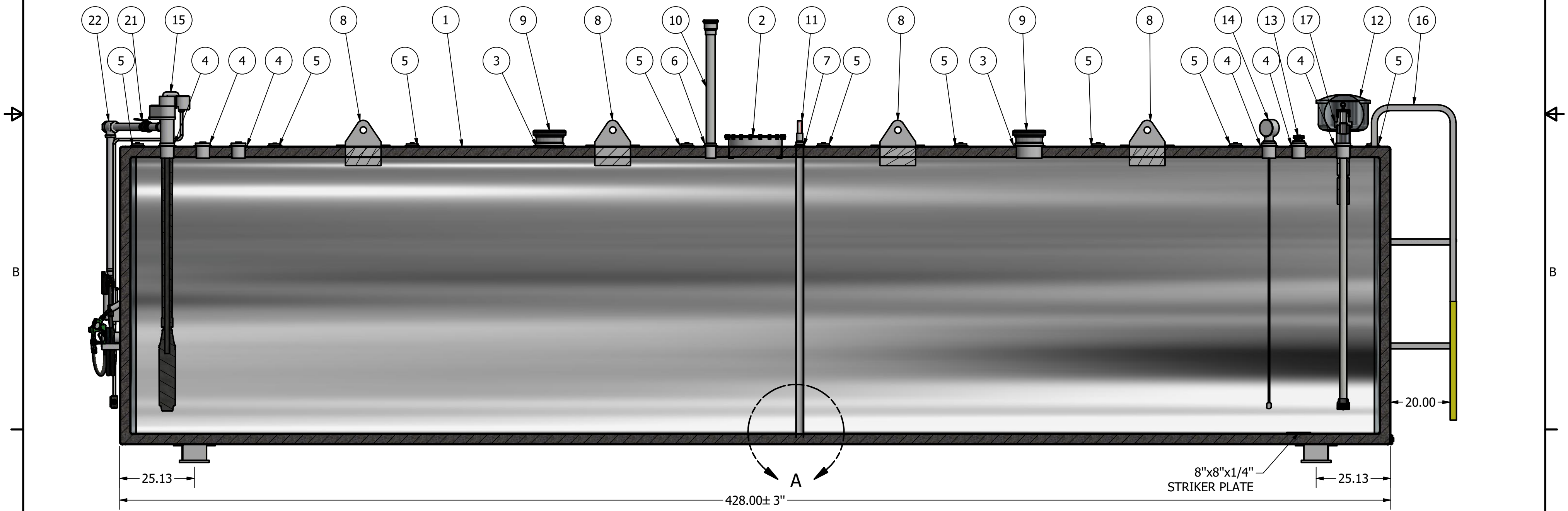
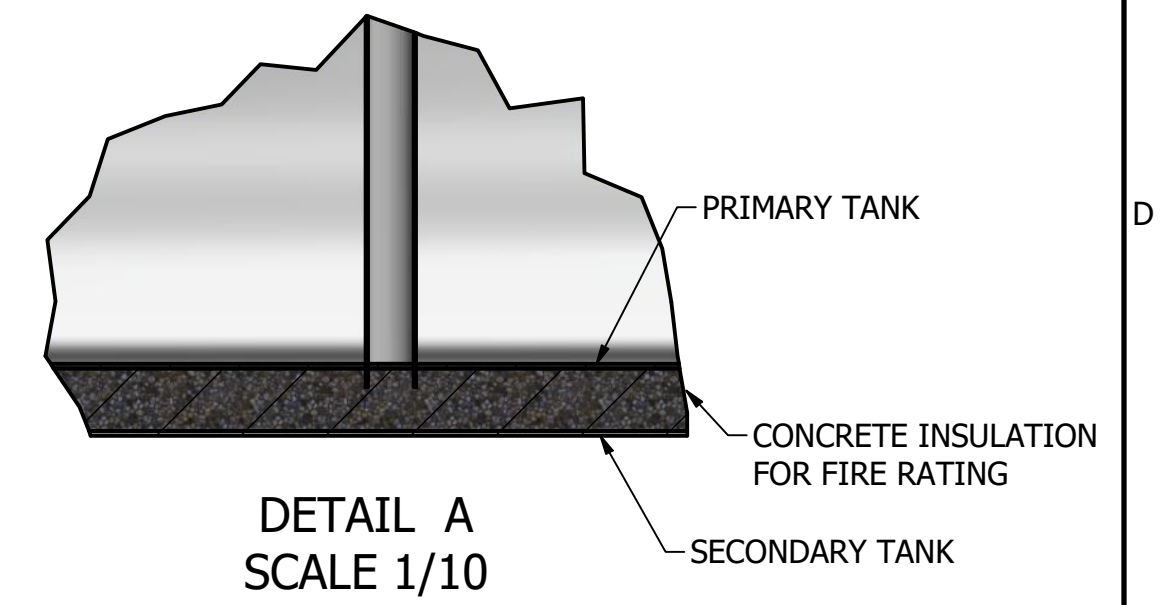
#

STI
SwRI
UL

This document and all information and design thereon are the property of Envirosafe Fuel Systems. This document is confidential and must not be made public or copied without written authorization from Envirosafe and is subject to return upon demand. No use of this document or any design thereon is permitted except as is specifically authorized in writing by Envirosafe. Acceptance of possession of this document constitutes full agreement with the above conditions. All Rights Reserved. Memco, Inc

DRAWN BY AP	9/19/2019	MEMCO, INC	
MEMCO REP			
QUOTE #12000 FG FARM FLEET			
Customer Approval Signature		SIZE C	DWG NO 12000 FG FARM FLEET
CUSTOMER REQUESTED COMPLETION DATE :		SCALE	REV
		SHEET 1 OF 5	

PARTS LIST			PARTS LIST		
ITEM	QTY	DESCRIPTION	ITEM	QTY	DESCRIPTION
1	1	12,000 FIREGUARD TANK MOUNTED ON SADDLES	16	1	STEP LADDER WITH PLATFORM AND SAFETY SHIELD
2	1	18" MANWAY FOR EASY INNER TANK ACCESSIBILITY	17	1	2" OVERFILL PREVENTION VALVE W/3" MALE QUICK DISCONNECT X 4" FEMALE THREADS, DIFFUSER, TEST MECHANISM AND DUST CAP
3	2	8 IN NPT THREADED FLANGE	18	1	METER 6-40 GPM DIGITAL. 1" NPT INLET/OUTLET. ACCURACY OF +/- 1.25%
4	6	4 IN NPT THREADED FLANGE	19	1	CIM-TEK 1 1/2" FILTER ADAPTER, 1" SPIN-ON FILTER
5	9	3" NPT THREADED FLANGE (CONCRETE PORT)	20	1	1.25" BRASS BALL VALVE
6	1	3 IN NPT THREADED FLANGE	21	1	VALVE BALL 2IN
7	2	2 IN NPT THREADED FLANGE	22	1	2" ANTI-SYPHON VALVE
8	4	LIFTING LUG	23	1	1 IN HUSKY DIESEL NOZZLE WITH 1" SWIVEL AND 1" BREAKAWAY
9	2	VENT EMERGENCY 8IN 8OZ./SQ.IN- MALE THREAD- w/O-RING	24	1	PUMP SWITCH, COVER & BACKPLATE, 1/2" EXPLOSION PROOF BOX FEED THRU
10	1	3" UPDRAFT STACK W/3" 354 SLIP ON	25	1	TANK DECAL KIT (NOT SHOWN)
11	1	INTERSTITIAL LEAK GAUGE	26	6	1" REPLACEMENT FILTERS (NOT SHOWN AND SHIPPED SEPARATELY)
12	1	7.5 GALLON OVERSPILL CONTAINER WITH LOCKABLE LID	27	1	TOUCH UP PAINT (NOT SHOWN AND SHIPPED SEPARATELY)
13	1	MONITORING CAP 2"			
14	1	818-CLOCK-GAUGE WITH STANDARD FLOAT			
15	1	FE PETRO 3/4 HP w/RISER, 88IN - 149IN (240V 1 PH)			



LEAD TIMES BEGIN UPON RECEIPT OF SIGNED APPROVED DRAWING, WHICH MUST BE RETURNED BEFORE PRODUCTION CAN BEGIN

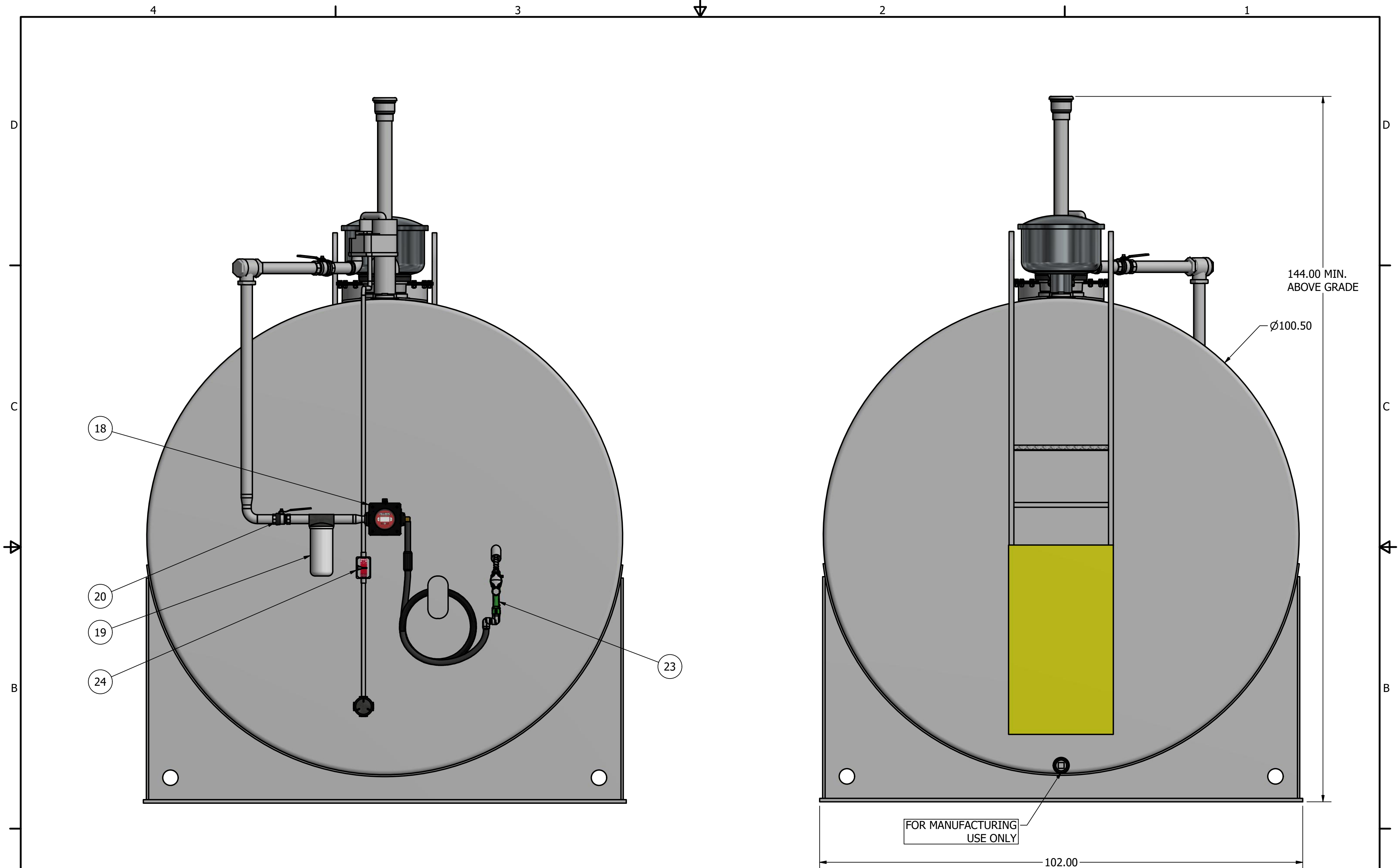
#

SHELL THICKNESS: 1/4"
HEAD THICKNESS: 5/16"

STI
SwRI
UL

This document and all information and design thereon are the property of Envirosafe Fuel Systems. This document is confidential and must not be made public or copied without written authorization from Envirosafe and is subject to return upon demand. No use of this document or any design thereon is permitted except as is specifically authorized in writing by Envirosafe. Acceptance of possession of this document constitutes full agreement with the above conditions. All Rights Reserved. Memco, Inc


DRAWN BY AP	9/19/2019	MEMCO, INC	
MEMCO REP		 12,000 GALLON FIREGUARD FARM FLEET SYSTEM <small>ABOVE-GROUND FUEL SYSTEMS</small>	
QUOTE #12000 FG FARM FLEET			
Customer Approval Signature		SIZE C	DWG NO 12000 FG FARM FLEET
		SCALE	REV
			SHEET 2 OF 5



LEAD TIMES BEGIN UPON RECEIPT OF SIGNED APPROVED DRAWING, WHICH MUST BE RETURNED BEFORE PRODUCTION CAN BEGIN #

This document and all information and design thereon are the property of Envirosafe Fuel Systems. This document is confidential and must not be made public or copied without written authorization from Envirosafe and is subject to return upon demand. No use of this document or any design thereon is permitted except as is specifically authorized in writing by Envirosafe. Acceptance of possession of this document constitutes full agreement with the above conditions. All Rights Reserved. Memco, Inc

STI
SwRI
UL

DRAWN BY AP		9/19/2019		MEMCO, INC	
MEMCO REP					
QUOTE # 12000 FG FARM FLEET				 12,000 GALLON FIREGUARD FARM FLEET SYSTEM <small>ABOVE-GROUND FUEL SYSTEMS</small>	
Customer Approval Signature					
SIZE C	DWG NO	12000 FG FARM FLEET		REV	
SCALE				SHEET 3 OF 5	