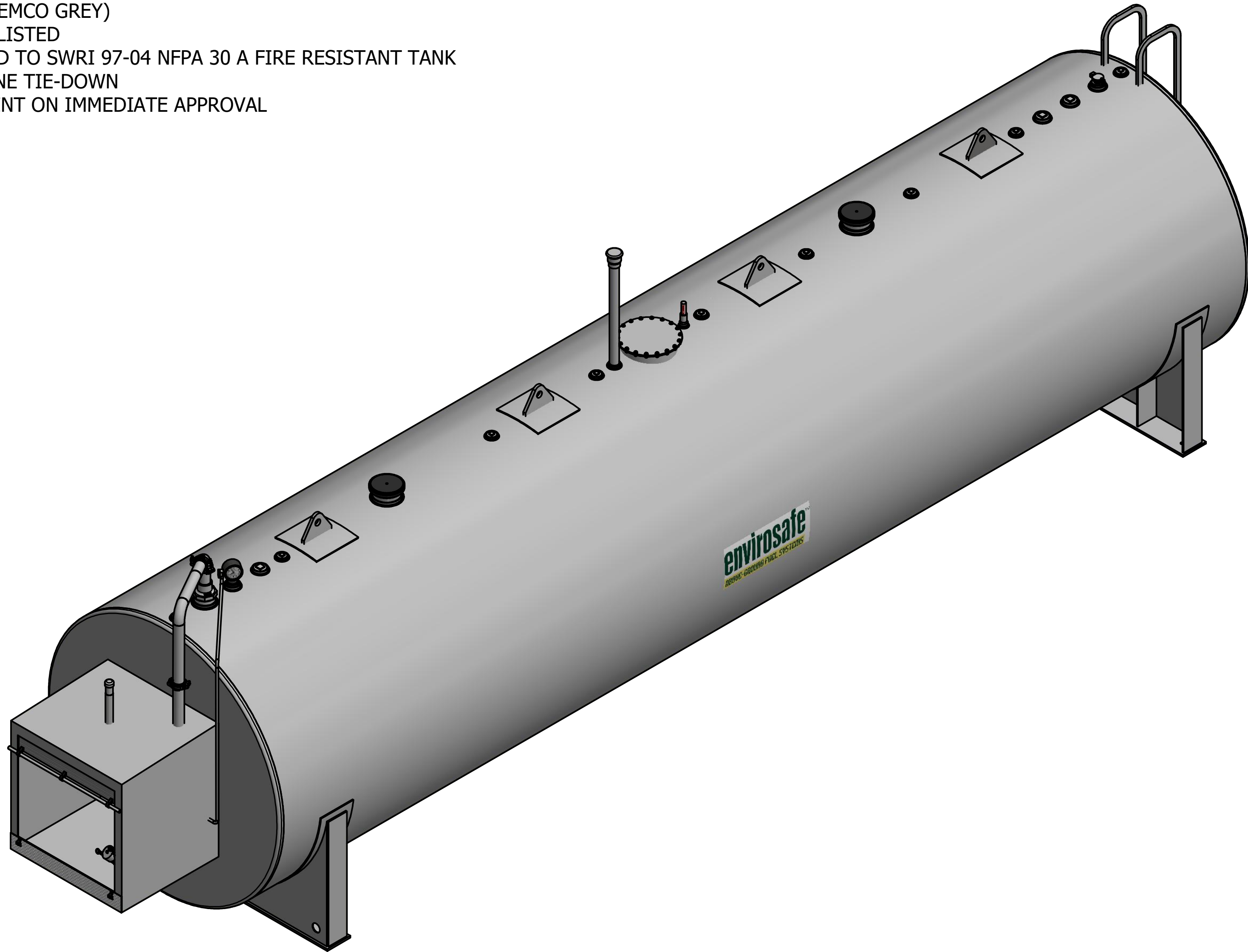


- NOTES:
1. GAS/DIESEL USE
  2. ENVIROLASTIC 940 DTM POLYASPARTIC URETHANE COATING FOR HIGH PERFORMANCE FINISH (MEMCO GREY)
  3. UL 2085 LABELED AND LISTED
  4. 2 HOUR RATING TESTED TO SWRI 97-04 NFPA 30 A FIRE RESISTANT TANK
  5. ENGINEERED HURRICANE TIE-DOWN
  6. LEAD TIME IS DEPENDENT ON IMMEDIATE APPROVAL




\*LEAD TIMES BEGIN UPON RECEIPT OF SIGNED APPROVED DRAWING, WHICH MUST BE RETURNED BEFORE PRODUCTION CAN BEGIN\*

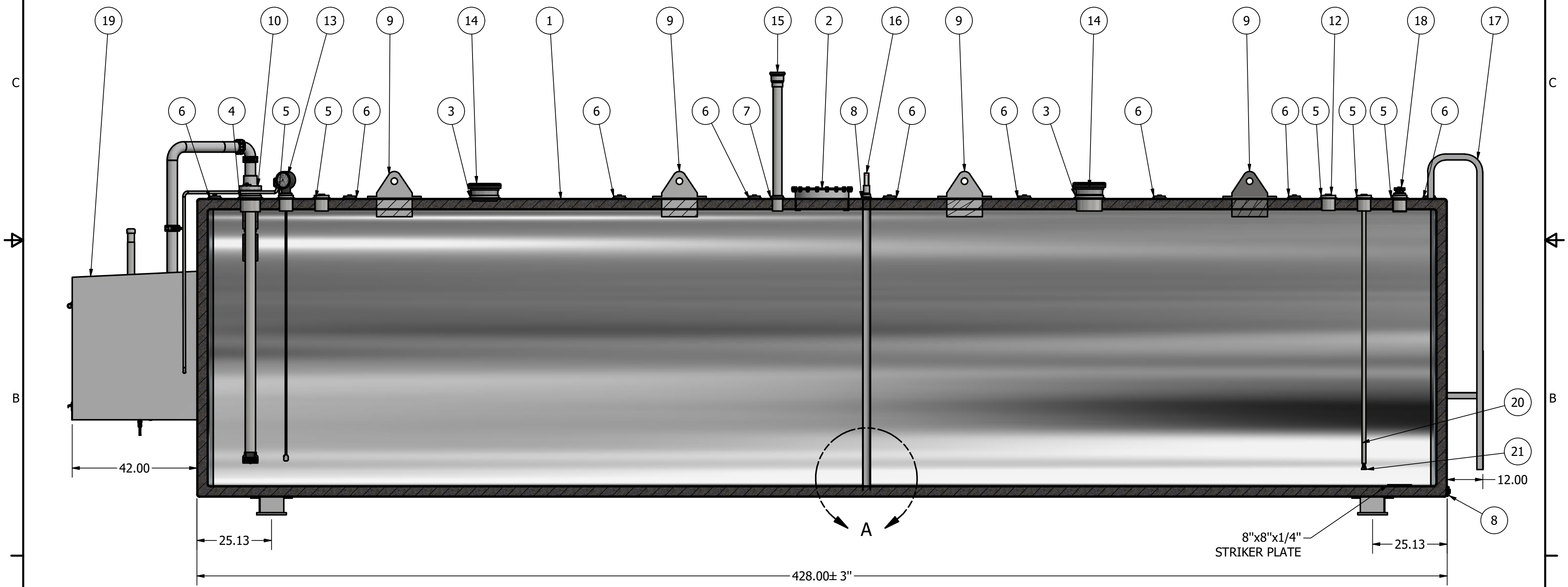
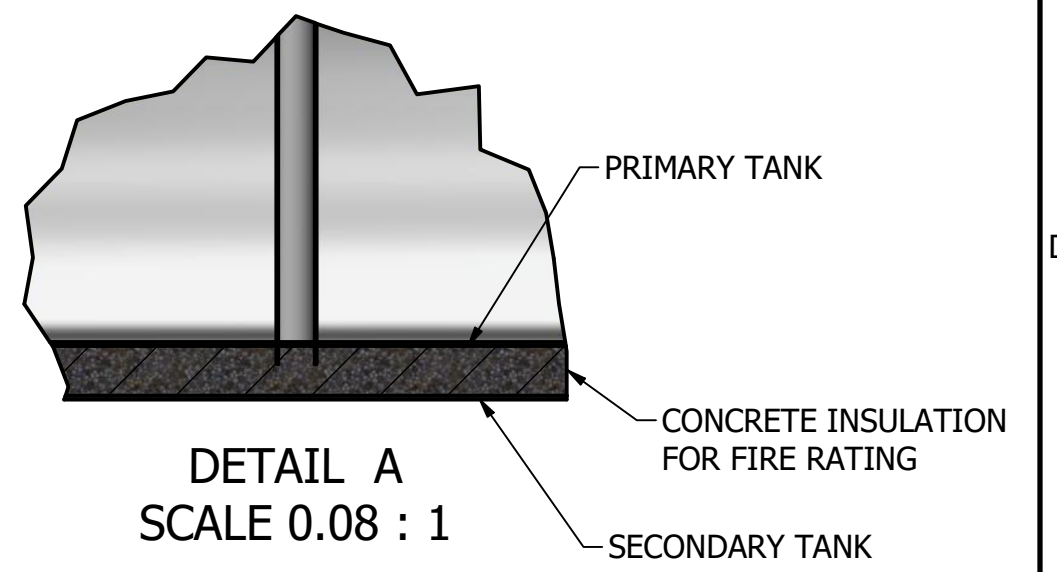
#

STI  
SwRI  
UL

This document and all information and design thereon are the property of Envirosafe Fuel Systems. This document is confidential and must not be made public or copied without written authorization from Envirosafe and is subject to return upon demand. No use of this document or any design thereon is permitted except as is specifically authorized in writing by Envirosafe. Acceptance of possession of this document constitutes full agreement with the above conditions. All Rights Reserved. Memco, Inc

DRAWN BY AP		4/17/2019		MEMCO, INC	
MEMCO REP				 <b>12,000 GALLON FIREGUARD GENERATOR TANK</b>	
QUOTE #					
Customer Approval Signature				SIZE C	DWG NO
CUSTOMER REQUESTED COMPLETION DATE :				SCALE	REV
				SHEET 1 OF 5	

PARTS LIST			PARTS LIST		
ITEM	QTY	DESCRIPTION	ITEM	QTY	DESCRIPTION
1	1	12,000 GALLON FIREGUARD TANK MOUNTED ON SADDLES	13	1	918 CLOCK GAUGE WITH ALARM BOX & STANDARD FLOAT
2	1	18" MANWAY FOR EASY INNER TANK ACCESSIBILITY	14	2	VENT EMERGENCY 8IN 8OZ./SQ.IN- MALE THREAD- w/O-RING
3	2	8 IN NPT THREADED FLANGE	15	1	3" UPDRAFT STACK W/3" 354 SLIP ON
4	1	6 IN NPT THREADED FLANGE	16	1	INTERSTITIAL LEAK GAUGE
5	5	4 IN NPT THREADED FLANGE	17	1	STEP LADDER WITH SAFETY SHIELD
6	9	3" NPT THREADED FLANGE (CONCRETE PORT)	18	1	MONITORING CAP 2"
7	1	3 IN NPT THREADED FLANGE	19	1	UL LISTED LOCKABLE FILL BOX 3'6"x4"x4'2", CROSS BROKEN FOR EASY DRAINAGE, 2" VENT, 1/2" BALL VALVE
8	2	2 IN NPT THREADED FLANGE	20	1	1" PICK UP WITH DROP TUBE 6" ABOVE FROM BOTTOM OF TANK
9	4	LIFTING LUG	21	1	1" FOOT VALVE SINGLE POPPET
10	1	3" OVERFILL PREVENTION VALVE WITH TEST MECHANISM & DIFFUSER	22	1	TANK DECAL KIT (NOT SHOWN)
11	1	3" GROUND LEVEL FILLWITH DUST CAP AND ADAPTORS	23	1	TOUCH UP PAINT(NOT SHOWN & SHIPPED SEPARATELY)
12	1	MEMCO 1" RETURN LINE FITTINGS ONLY			




\*LEAD TIMES BEGIN UPON RECEIPT OF SIGNED APPROVED DRAWING, WHICH MUST BE RETURNED BEFORE PRODUCTION CAN BEGIN\*

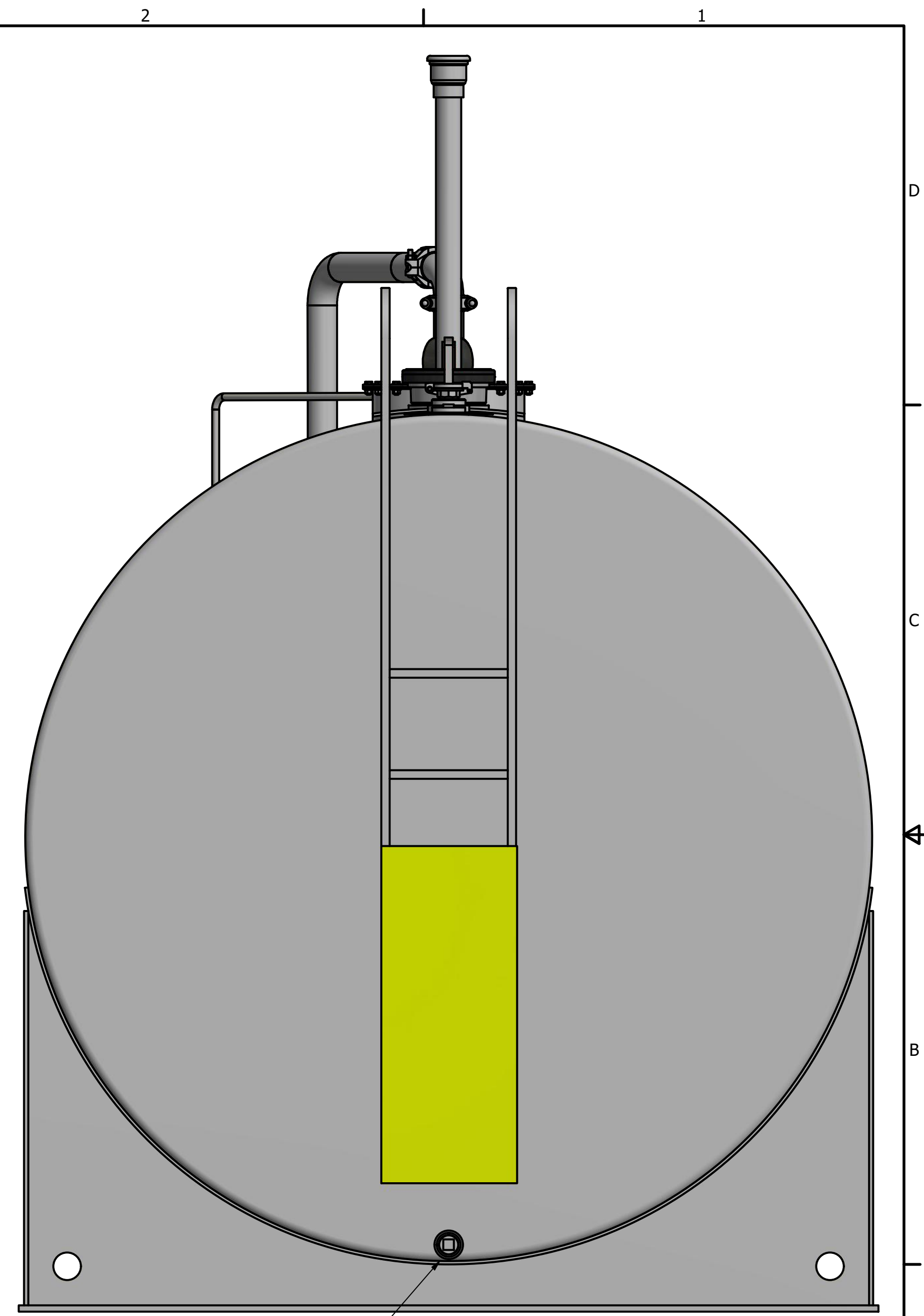
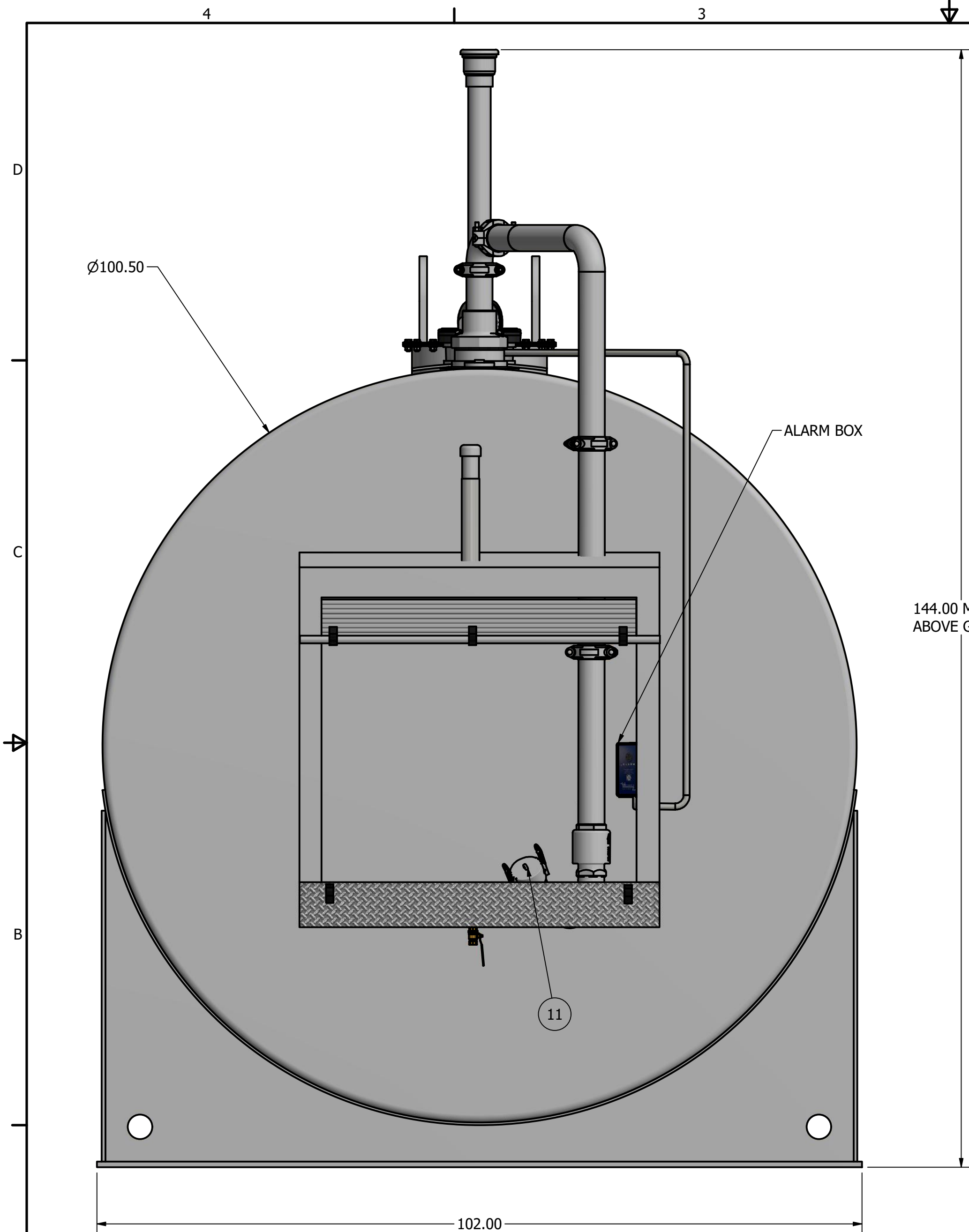
#

SHELL THICKNESS: 1/4"  
HEAD THICKNESS: 5/16"

STI  
SwRI  
UL

This document and all information and design thereon are the property of EnviroSAFE Fuel Systems. This document is confidential and must not be made public or copied without written authorization from EnviroSAFE and is subject to return upon demand. No use of this document or any design thereon is permitted except as is specifically authorized in writing by EnviroSAFE. Acceptance of possession of this document constitutes full agreement with the above conditions. All Rights Reserved. Memco, Inc

DRAWN BY AP	4/17/2019	MEMCO, INC	
MEMCO REP			
QUOTE #		 <b>12,000 GALLON FIREGUARD GENERATOR TANK</b> ABOVE-GROUND FUEL SYSTEMS	
Customer Approval Signature			
SIZE C	DWG NO	REV	
SCALE	SHEET 2 OF 5		



144.00 MIN.  
ABOVE GRADE


FOR MANUFACTURING  
USE ONLY

\*LEAD TIMES BEGIN UPON RECEIPT OF SIGNED APPROVED  
DRAWING, WHICH MUST BE RETURNED BEFORE  
PRODUCTION CAN BEGIN\*

#

This document and all information and design thereon are the property of Envirosafe Fuel Systems. This document is confidential and must not be made public or copied without written authorization from Envirosafe and is subject to return upon demand. No use of this document or any design thereon is permitted except as is specifically authorized in writing by Envirosafe. Acceptance of possession of this document constitutes full agreement with the above conditions. All Rights Reserved. Memco, Inc

STI  
SwRI  
UL

DRAWN BY AP		4/17/2019		MEMCO, INC	
MEMCO REP					
QUOTE #				 <b>12,000 GALLON FIREGUARD GENERATOR TANK</b> <small>ABOVE-GROUND FUEL SYSTEMS</small>	
Customer Approval Signature					
SIZE C	DWG NO			REV	
SCALE				SHEET 3 OF 5	