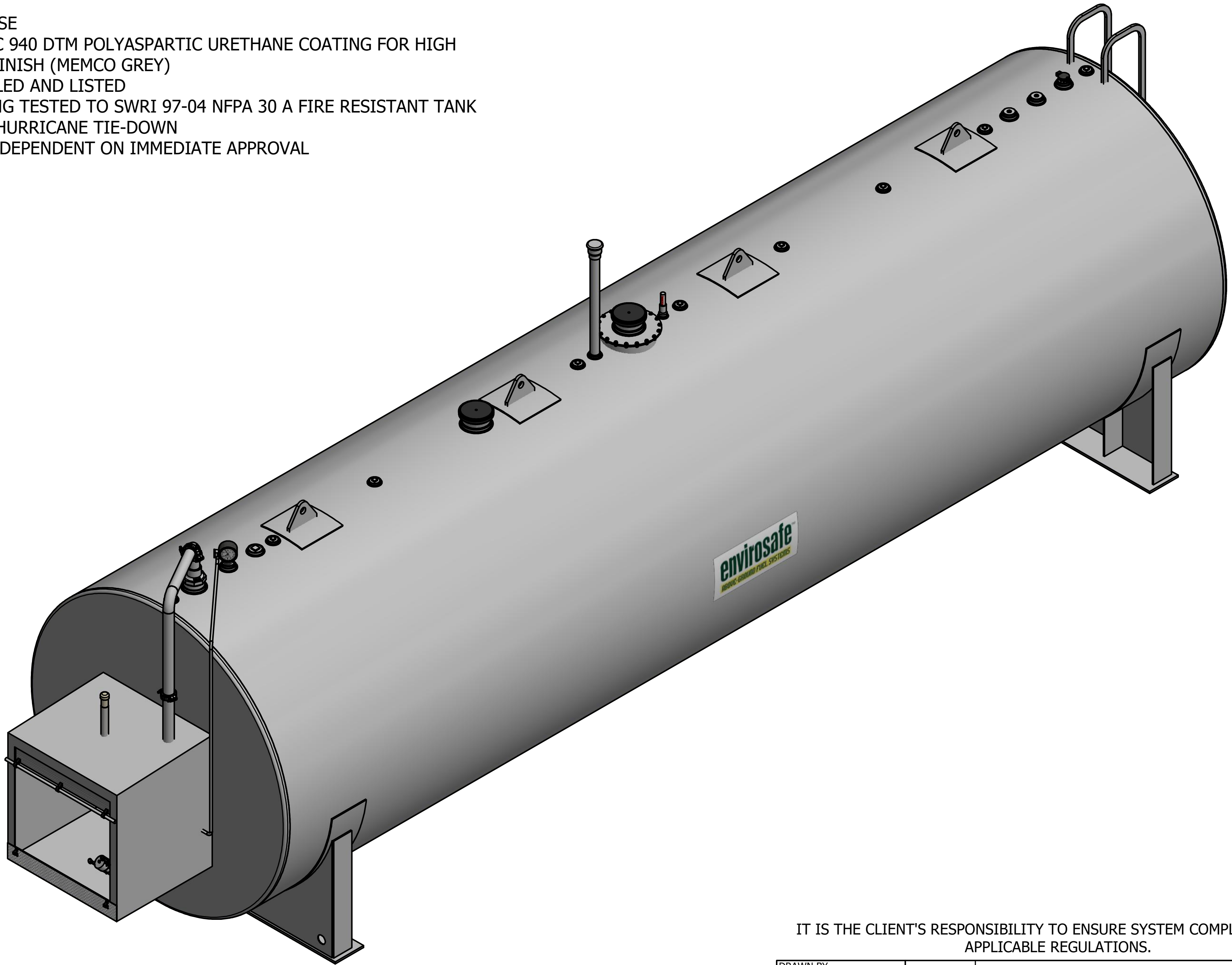



- NOTES:
1. GAS/DIESEL USE
  2. ENVIROLASTIC 940 DTM POLYASPARTIC URETHANE COATING FOR HIGH PERFORMANCE FINISH (MEMCO GREY)
  3. UL 2085 LABELED AND LISTED
  4. 2 HOUR RATING TESTED TO SWRI 97-04 NFPA 30 A FIRE RESISTANT TANK
  5. ENGINEERED HURRICANE TIE-DOWN
  6. LEAD TIME IS DEPENDENT ON IMMEDIATE APPROVAL



IT IS THE CLIENT'S RESPONSIBILITY TO ENSURE SYSTEM COMPLIANCE WITH APPLICABLE REGULATIONS.

DRAWN BY AP	4/24/2020	MEMCO, INC	
MEMCO REP		 <b>15,000 GALLON FIREGUARD GENERATOR SYSTEM</b> <small>ABOVE-GROUND FUEL SYSTEMS</small>	
QUOTE #			
Customer Approval Signature		SIZE C	DWG NO
CUSTOMER REQUESTED COMPLETION DATE :		SCALE	REV
		SHEET 1 OF 5	

\*LEAD TIMES BEGIN UPON RECEIPT OF SIGNED APPROVED DRAWING, WHICH MUST BE RETURNED BEFORE PRODUCTION CAN BEGIN\*

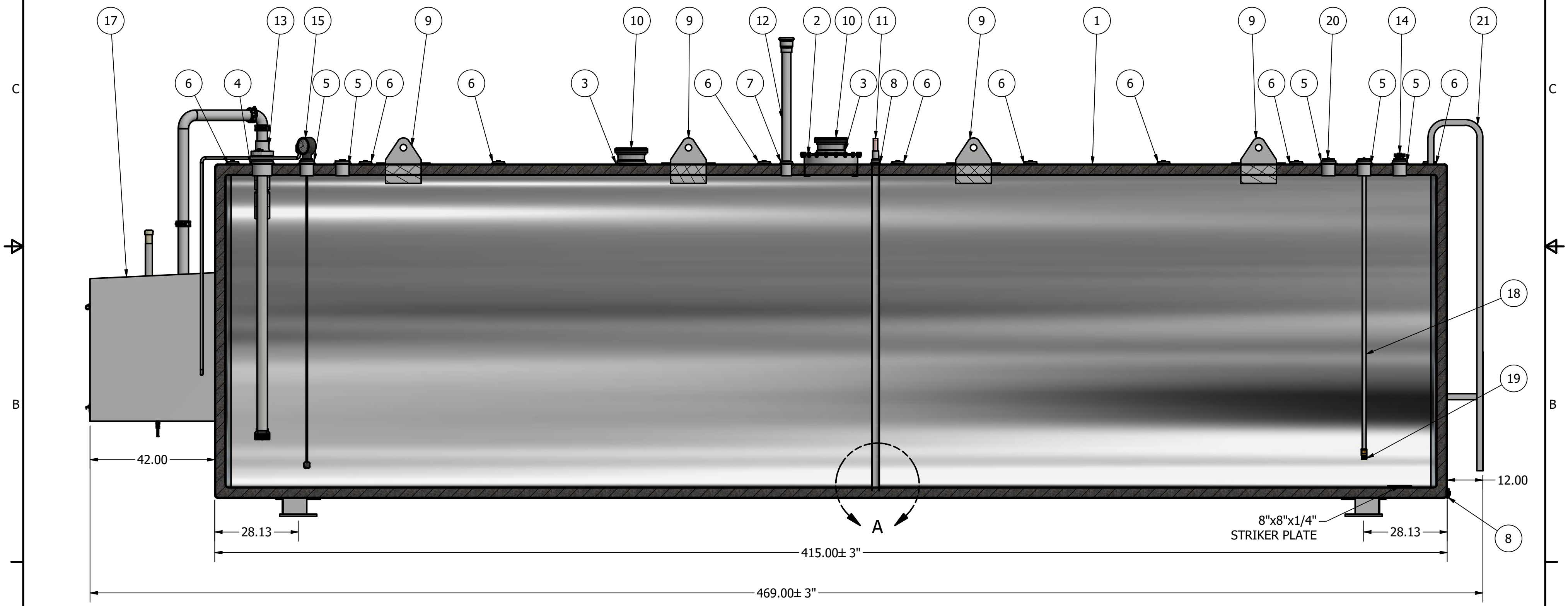
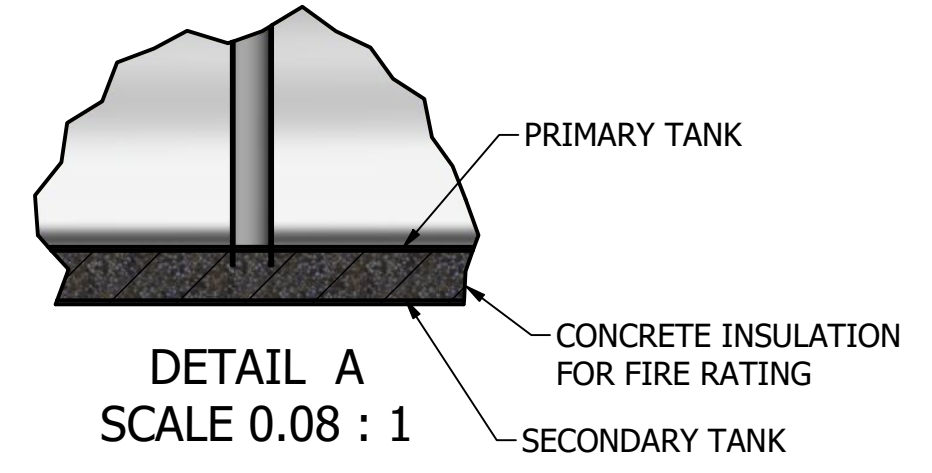
#

STI  
SwRI  
UL

This document and all information and design thereon are the property of Envirosafe Fuel Systems. This document is confidential and must not be made public or copied without written authorization from Envirosafe and is subject to return upon demand. No use of this document or any design thereon is permitted except as is specifically authorized in writing by Envirosafe. Acceptance of possession of this document constitutes full agreement with the above conditions. All Rights Reserved. Memco, Inc

PARTS LIST		
ITEM	QTY	DESCRIPTION
1	1	15,000 GALLON FIREGUARD TANK MOUNTED ON SADDLES
2	1	18" MANWAY FOR EASY INNER TANK ACCESSIBILITY
3	2	8 IN NPT THREADED FLANGE
4	1	6 IN NPT THREADED FLANGE
5	5	4 IN NPT THREADED FLANGE
6	9	3" NPT THREADED FLANGE (CONCRETE PORT)
7	1	3 IN NPT THREADED FLANGE
8	2	2 IN NPT THREADED FLANGE
9	4	LIFTING LUG
10	2	VENT EMERGENCY 8IN 8OZ./SQ.IN- MALE THREAD- w/O-RING
11	1	INTERSTITIAL LEAK GAUGE
12	1	3" UPDRAFT STACK W/3" 354 SLIP ON
13	1	3" OVERFILL PREVENTION VALVE WITH TEST MECHANISM AND DIFFUSER

PARTS LIST		
ITEM	QTY	DESCRIPTION
14	1	MONITORING CAP 2"
15	1	918 CLOCK GAUGE WITH ALARM BOX & STANDARD FLOAT
16	1	3" GROUND LEVEL FILL WITH DUST CAP AND ADAPTOR
17	1	UL LISTED LOCKABLE 3'6"x4'2"x4' FILL BOX, CROSS BROKEN FOR EASY DRAINAGE, 2" STACK VENT AND 1/2" BALL VALVE
18	1	1" PICK UP WITH DROP TUBE 6" ABOVE FROM BOTTOM TANK
19	1	VALVE FOOT SINGLE POPPET 1"
20	1	MEMCO 1" RETURN LINE FITTINGS ONLY
21	1	STEP LADDER WITH SAFETY SHIELD
22	1	ROM DOOR (3'x3')
23	1	TANK DECAL KIT (NOT SHOWN)
24	1	TOUCH UP PAINT (NOT SHOWN AND SHIPPED SEPARATELY)



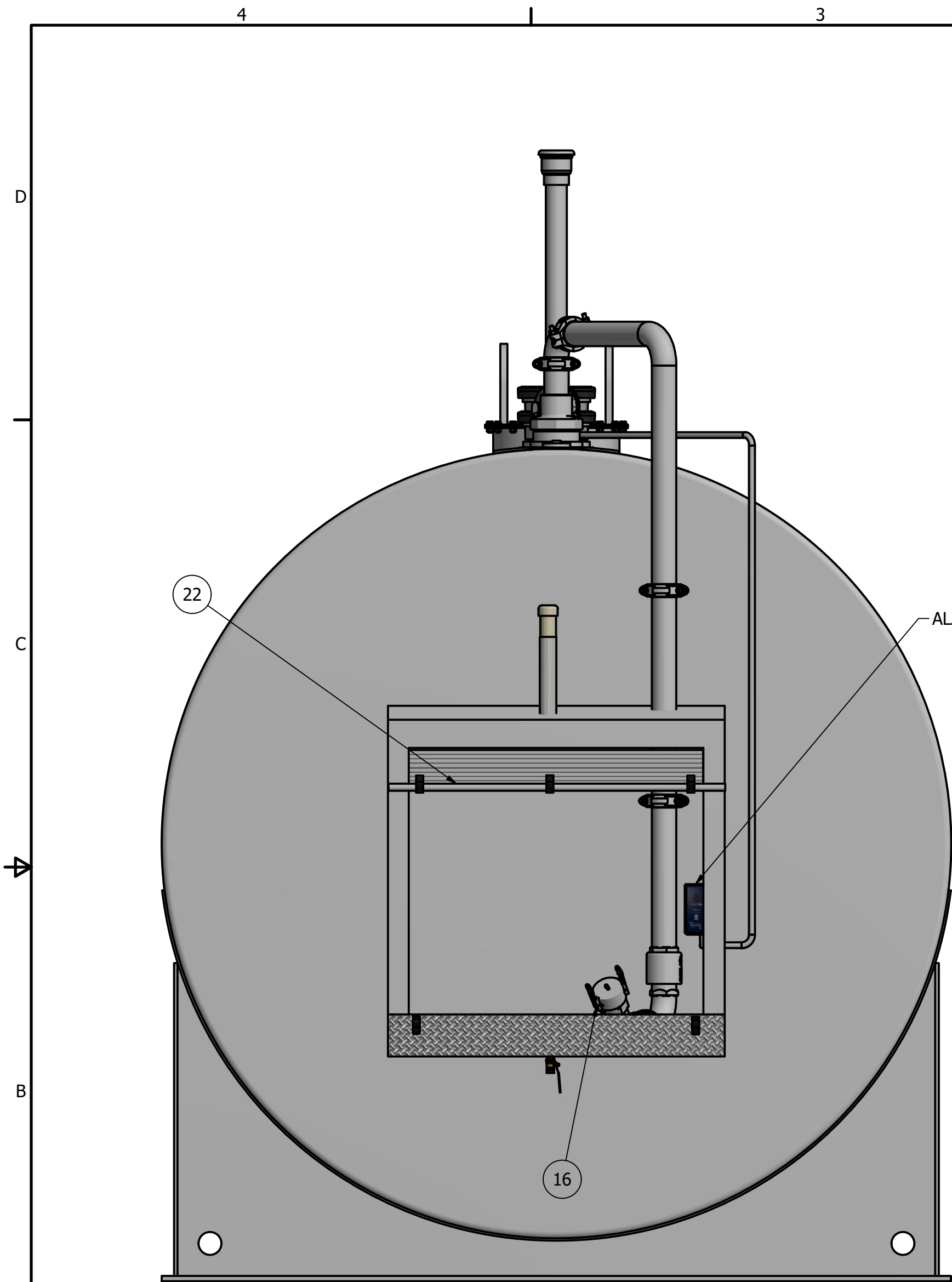
IT IS THE CLIENT'S RESPONSIBILITY TO ENSURE SYSTEM COMPLIANCE WITH APPLICABLE REGULATIONS.

PRI. SHELL THICKNESS: 1/4"  
SEC. SHELL THICKNESS: 5/16"  
HEAD THICKNESS: 5/16"  
STI  
SwRI  
UL

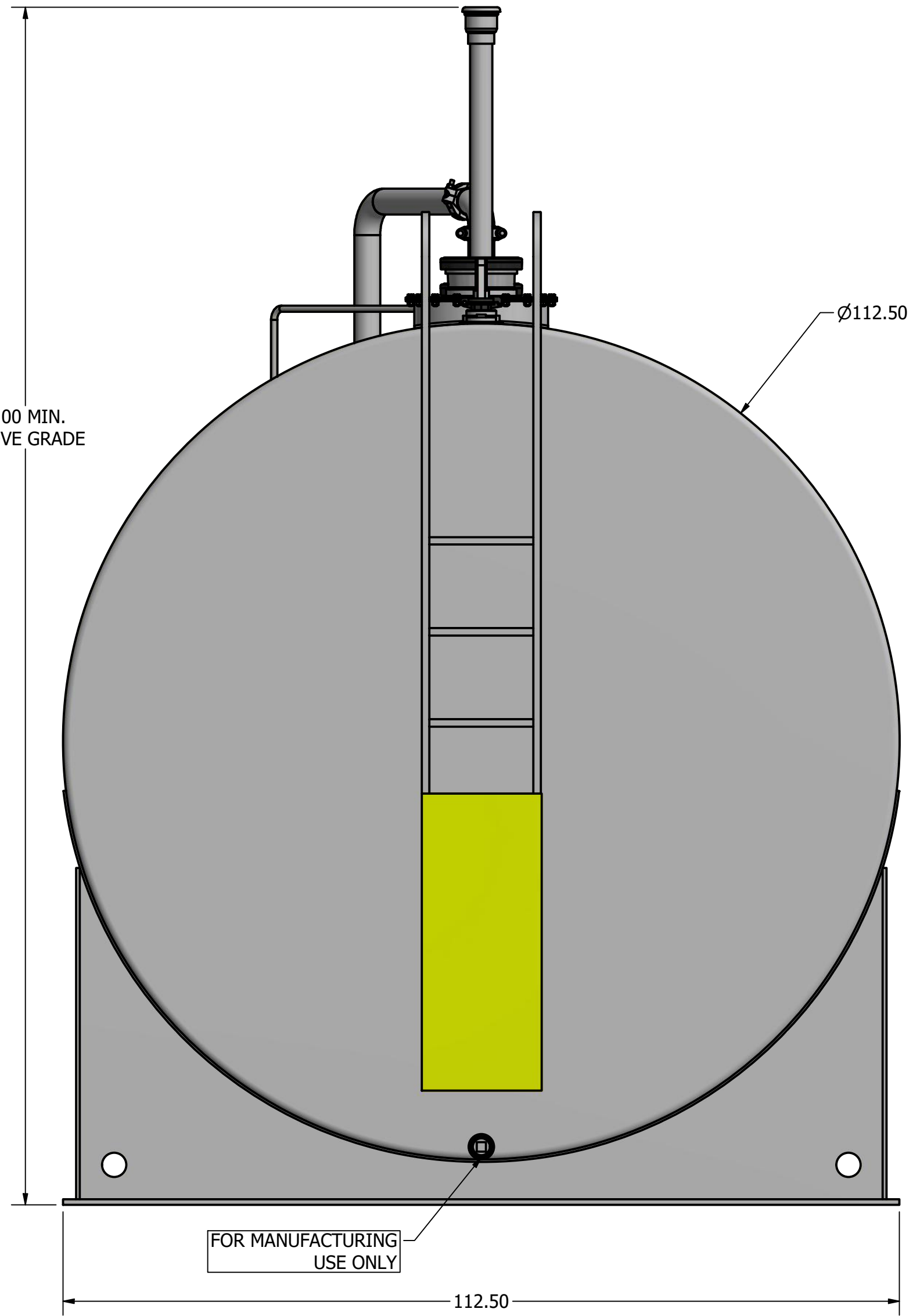
\*LEAD TIMES BEGIN UPON RECEIPT OF SIGNED APPROVED DRAWING, WHICH MUST BE RETURNED BEFORE PRODUCTION CAN BEGIN\* #

This document and all information and design thereon are the property of Envirosafe Fuel Systems. This document is confidential and must not be made public or copied without written authorization from Envirosafe and is subject to return upon demand. No use of this document or any design thereon is permitted except as is specifically authorized in writing by Envirosafe. Acceptance of possession of this document constitutes full agreement with the above conditions. All Rights Reserved. Memco, Inc

DRAWN BY AP	4/24/2020	MEMCO, INC	
MEMCO REP			
QUOTE #		 15,000 GALLON FIREGUARD GENERATOR SYSTEM 	
Customer Approval Signature			
SIZE C	DWG NO	REV	
SCALE	SHEET 2 OF 5		



144.00 MIN.  
ABOVE GRADE



FOR MANUFACTURING  
USE ONLY

112.50

IT IS THE CLIENT'S RESPONSIBILITY TO ENSURE SYSTEM COMPLIANCE WITH APPLICABLE REGULATIONS.

\*LEAD TIMES BEGIN UPON RECEIPT OF SIGNED APPROVED DRAWING, WHICH MUST BE RETURNED BEFORE PRODUCTION CAN BEGIN\*

#

STI  
SwRI  
UL

This document and all information and design thereon are the property of Envirosafe Fuel Systems. This document is confidential and must not be made public or copied without written authorization from Envirosafe and is subject to return upon demand. No use of this document or any design thereon is permitted except as is specifically authorized in writing by Envirosafe. Acceptance of possession of this document constitutes full agreement with the above conditions. All Rights Reserved. Memco, Inc

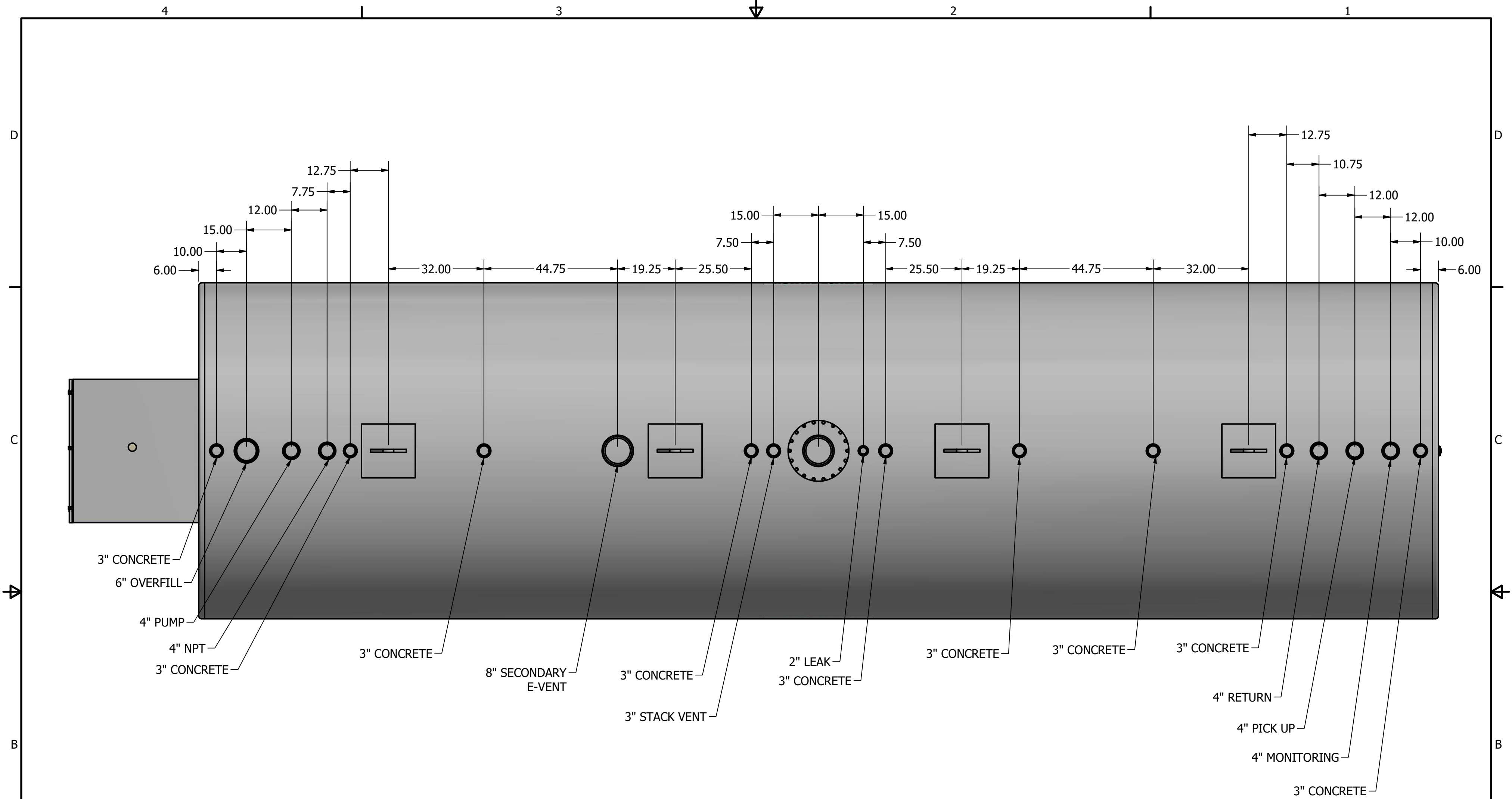
DRAWN BY	AP	4/24/2020
MEMCO REP		
QUOTE #		
Customer Approval Signature		

MEMCO, INC

15,000 GALLON FIREGUARD GENERATOR SYSTEM




SIZE	DWG NO	REV
C		
SCALE	SHEET 3 OF 5	



IT IS THE CLIENT'S RESPONSIBILITY TO ENSURE SYSTEM COMPLIANCE WITH APPLICABLE REGULATIONS.

\*LEAD TIMES BEGIN UPON RECEIPT OF SIGNED APPROVED DRAWING, WHICH MUST BE RETURNED BEFORE PRODUCTION CAN BEGIN\* #


STI  
SwRI  
UL

DRAWN BY AP	4/24/2020	MEMCO, INC	
MEMCO REP			
QUOTE #		 <b>15,000 GALLON FIREGUARD GENERATOR SYSTEM</b> <small>ABOVE-GROUND FUEL SYSTEMS</small>	
Customer Approval Signature			
SCALE	C	DWG NO	REV
		SHEET 4 OF 5	

This document and all information and design thereon are the property of Envirosafe Fuel Systems. This document is confidential and must not be made public or copied without written authorization from Envirosafe and is subject to return upon demand. No use of this document or any design thereon is permitted except as is specifically authorized in writing by Envirosafe. Acceptance of possession of this document constitutes full agreement with the above conditions. All Rights Reserved. Memco, Inc

PARTS LIST			
ITEM	QTY	DESCRIPTION	PART NUMBER
1	1	15,000 GALLON FIREGUARD TANK MOUNTED ON SADDLES	15000-Secondary-Tank
2	1	18" MANWAY FOR EASY INNER TANK ACCESSIBILITY	P-18" MANWAY - 10
3	2	8 IN NPT THREADED FLANGE	P-SERIES 160
4	1	6 IN NPT THREADED FLANGE	P-SERIES-159
5	5	4 IN NPT THREADED FLANGE	P-SERIES 262
6	9	3" NPT THREADED FLANGE (CONCRETE PORT)	P- SERIES 260
7	1	3 IN NPT THREADED FLANGE	P-SERIES 260
8	2	2 IN NPT THREADED FLANGE	P-SERIES 158
9	4	LIFTING LUG	S-LIFTING LUG NEW SIZE
10	2	VENT EMERGENCY 8IN 8OZ./SQ.IN- MALE THREAD- w/O-RING	P-2440M-0600AV EVR
11	1	INTERSTITIAL LEAK GAUGE	P-K-2-96
12	1	3" UPDRAFT STACK W/3" 354 SLIP ON	3" STACK, P-354-0300AV
13	1	3" OVERFILL PREVENTION VALVE WITH TEST MECHANISM AND DIFFUSER	P-9095AA3300AVEVR, P-9095ATM-0100 AM
14	1	MONITORING CAP 2"	P-179M-0100AC
15	1	918 CLOCK GAUGE WITH ALARM BOX & STANDARD FLOAT	P-918-0100AG
16	1	3" GROUND LEVEL FILL WITH DUST CAP AND ADAPTOR	M-J FILL
17	1	UL LISTED LOCKABLE 3'6"x4'2"x4' FILL BOX, CROSS BROKEN FOR EASY DRAINAGE, 2" STACK VENT AND 1/2" BALL VALVE	M-SMALL BOX
18	1	1" PICK UP WITH DROP TUBE 6" ABOVE FROM BOTTOM TANK	M-1IN PICKUP DROPTUBE
19	1	VALVE FOOT SINGLE POPPET 1"	P-334-0200AV
20	1	MEMCO 1" RETURN LINE FITTINGS ONLY	P-0318-90175
21	1	STEP LADDER WITH SAFETY SHIELD	M-STEP LADDER W/ SAFETY SHIELD
22	1	ROM DOOR (3'x3')	P-ROM DOOR SMALL
23	1	TANK DECAL KIT (NOT SHOWN)	P-TANK DECAL KIT
24	1	TOUCH UP PAINT (NOT SHOWN AND SHIPPED SEPARATELY)	

IT IS THE CLIENT'S RESPONSIBILITY TO ENSURE SYSTEM COMPLIANCE WITH APPLICABLE REGULATIONS.

DRAWN BY AP	4/24/2020	MEMCO, INC	
MEMCO REP			
QUOTE #		 <b>15,000 GALLON FIREGUARD GENERATOR SYSTEM</b> <small>ABOVE-GROUND FUEL SYSTEMS</small>	
Customer Approval Signature			
SIZE C	DWG NO	REV	
SCALE	SHEET 5 OF 5		

\*LEAD TIMES BEGIN UPON RECEIPT OF SIGNED APPROVED DRAWING, WHICH MUST BE RETURNED BEFORE PRODUCTION CAN BEGIN\*

#

STI  
SwRI  
UL

This document and all information and design thereon are the property of Envirosafe Fuel Systems. This document is confidential and must not be made public or copied without written authorization from Envirosafe and is subject to return upon demand. No use of this document or any design thereon is permitted except as is specifically authorized in writing by Envirosafe. Acceptance of possession of this document constitutes full agreement with the above conditions. All Rights Reserved. Memco, Inc