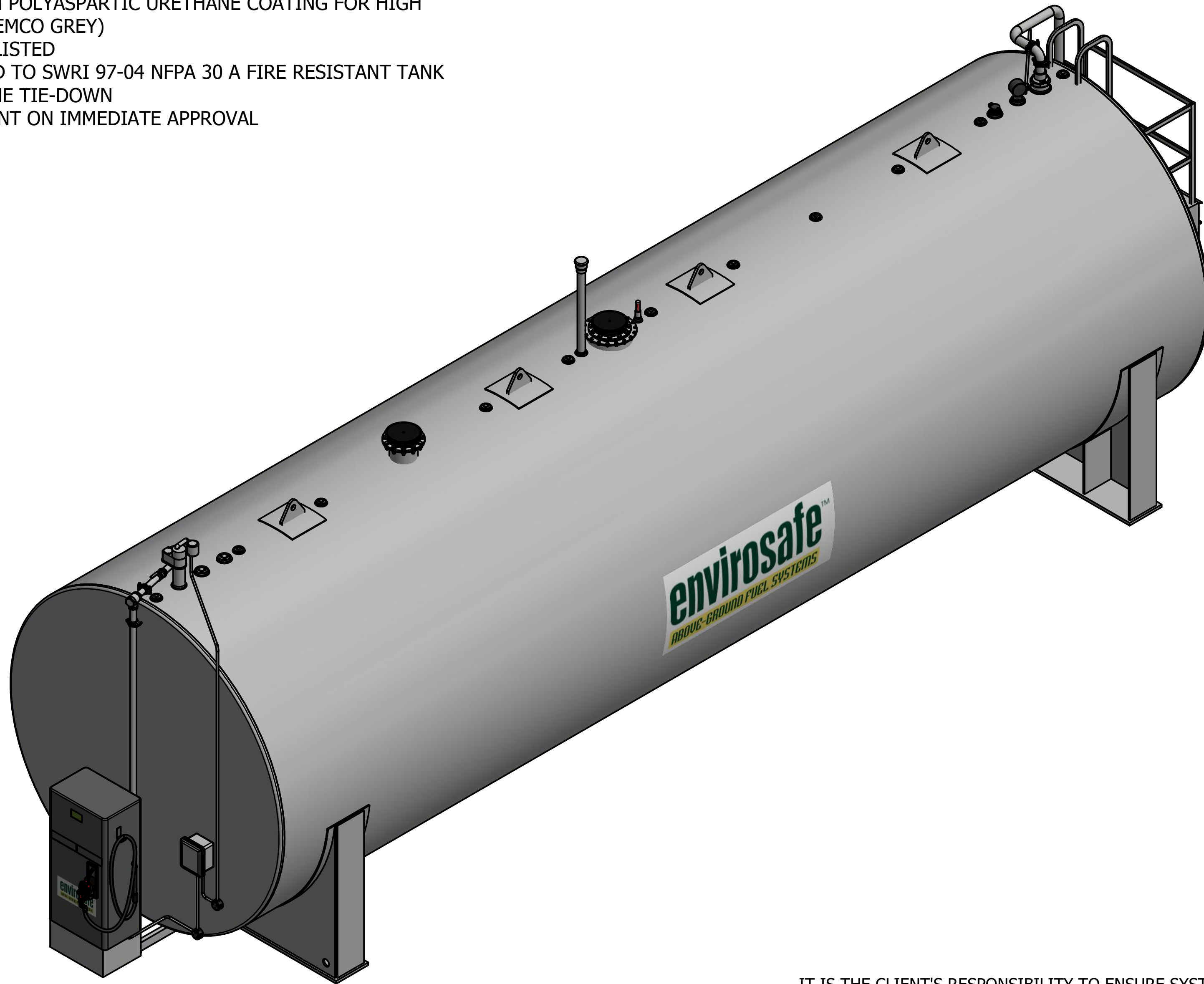


- NOTES:
1. GAS/DIESEL USE
 2. ENVIROLASTIC 940 DTM POLYASPARTIC URETHANE COATING FOR HIGH PERFORMANCE FINISH (MEMCO GREY)
 3. UL 2085 LABELED AND LISTED
 4. 2 HOUR RATING TESTED TO SWRI 97-04 NFPA 30 A FIRE RESISTANT TANK
 5. ENGINEERED HURRICANE TIE-DOWN
 6. LEAD TIME IS DEPENDENT ON IMMEDIATE APPROVAL




IT IS THE CLIENT'S RESPONSIBILITY TO ENSURE SYSTEM COMPLIANCE WITH APPLICABLE REGULATIONS.

LEAD TIMES BEGIN UPON RECEIPT OF SIGNED APPROVED DRAWING, WHICH MUST BE RETURNED BEFORE PRODUCTION CAN BEGIN

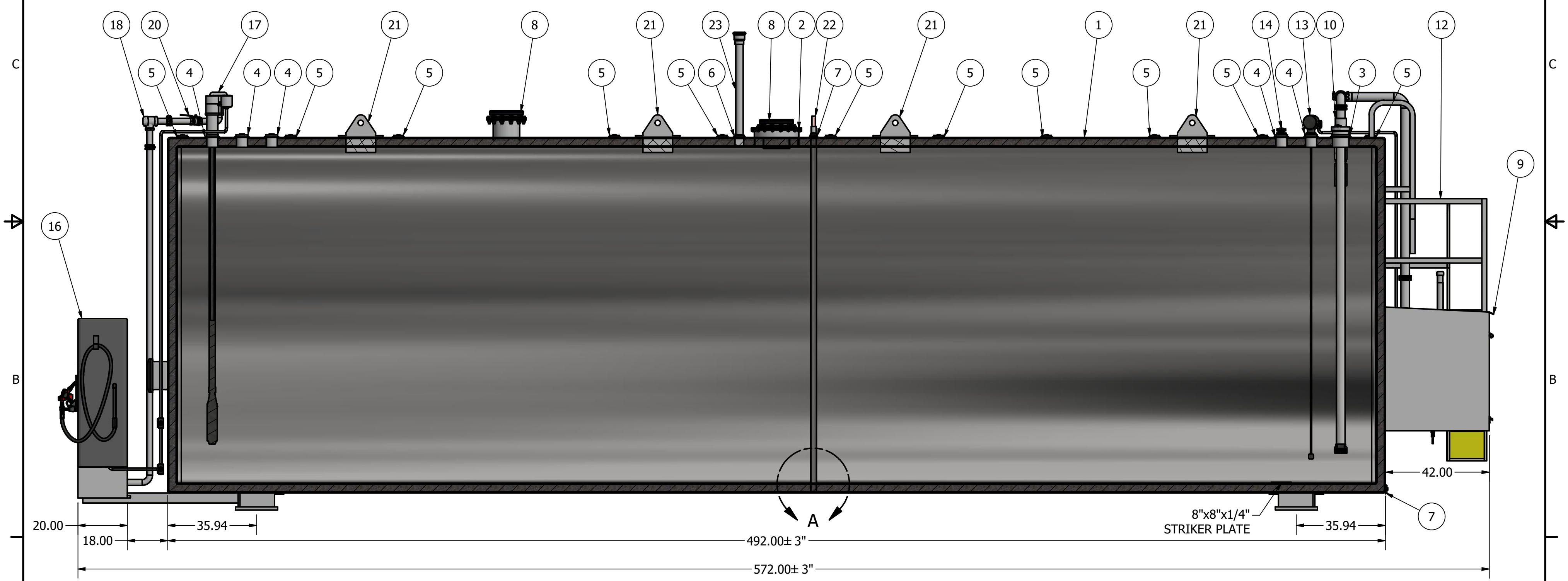
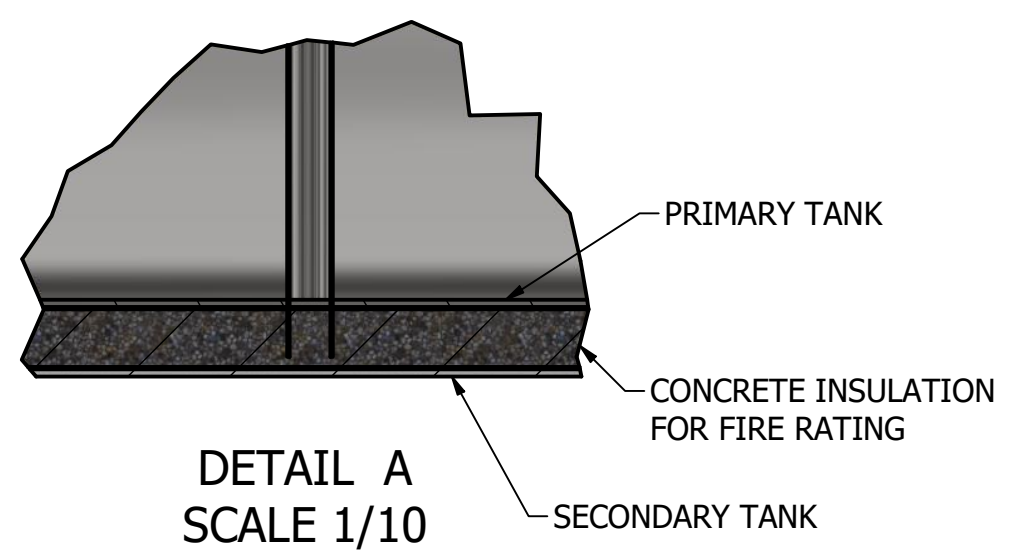
#

STI
SwRI
UL

This document and all information and design thereon are the property of Envirosafe Fuel Systems. This document is confidential and must not be made public or copied without written authorization from Envirosafe and is subject to return upon demand. No use of this document or any design thereon is permitted except as is specifically authorized in writing by Envirosafe. Acceptance of possession of this document constitutes full agreement with the above conditions. All Rights Reserved. Memco, Inc

DRAWN BY AP		4/16/2020		MEMCO, INC	
MEMCO REP				 30,000 GALLON FIREGUARD DISPENSER SYSTEM	
QUOTE #30000 GALLON FG DISPENSER					
Customer Approval Signature				SIZE C	DWG NO
CUSTOMER REQUESTED COMPLETION DATE :				SCALE	REV
				30000 GALLON FG DISPENSER	
				SHEET 1 OF 5	

PARTS LIST			PARTS LIST		
ITEM	QTY	DESCRIPTION	ITEM	QTY	DESCRIPTION
1	1	30,000 GALLON FIREGUARD TANK MOUNTED ON SADDLES	14	1	MONITORING CAP 2"
2	1	18" MANWAY FOR EASY INNER TANK ACCESSIBILITY	15	1	VALVE EMERGENCY SHUT-OFF 2"x1.5" CONTAINMENT BODY STYLE
3	1	6 IN NPT THREADED FLANGE	16	1	DISPENSER BENNETT SINGLE PRODUCT 3711SNR-18-J-P-SO DISPENSER w/10:1 PULSER (ENVIROSAFE LOGO ON DOOR)
4	5	4 IN NPT THREADED FLANGE	17	1	FE PETRO 3/4 HP w/RISER, 88IN - 149IN (240V 1 PH)
5	11	3" NPT THREADED FLANGE (CONCRETE PORT)	18	1	2" ANTI-SYPHON VALVE
6	1	3 IN NPT THREADED FLANGE	19	1	ENCLOSURE ADALET HAZ LOC TYPE 4/7/9 8"x10"x6" W/ PAN & HINGES W/ 3- 1/2" NPT CONDUIT
7	2	2 IN NPT THREADED FLANGE	20	1	VALVE BALL 2IN
8	2	10" 8 OZ. FLANGE E-VENT KIT	21	4	LIFTING LUG
9	1	UL LISTED LOCKABLE 3'6"x4'2"x4' FILL BOX, CROSS BROKEN FOR EASY DRAINAGE, 2" STACK VENT AND 1/2" BALL VALVE	22	1	INTERSTITIAL LEAK GAUGE
10	1	3" OVERFILL PREVENTION VALVE WITH TEST MECHANISM AND DIFFUSER	23	1	3" UPDRAFT STACK W/3" 354 SLIP ON
11	1	3" GROUND LEVEL FILL WITH DUST CAP AND ADAPTOR	24	1	ROM DOOR 3'x3'
12	1	STEP LADDER MOUNTED ON BOX TO ACCESS TOP OF TANK WITH HANDRAIL SYSTEM AND SAFETY SHIELD	25	1	TANK DECAL KIT (NOT SHOWN)
13	1	918 CLOCK GAUGE WITH ALARM BOX & STANDARD FLOAT	26	1	TOUCH UP PAINT (NOT SHOWN AND SHIPPED SEPARATELY)



IT IS THE CLIENT'S RESPONSIBILITY TO ENSURE SYSTEM COMPLIANCE WITH APPLICABLE REGULATIONS.

LEAD TIMES BEGIN UPON RECEIPT OF SIGNED APPROVED DRAWING, WHICH MUST BE RETURNED BEFORE PRODUCTION CAN BEGIN



SHELL THICKNESS: 3/8"
HEAD THICKNESS: 3/8"

STI
SwRI
UL

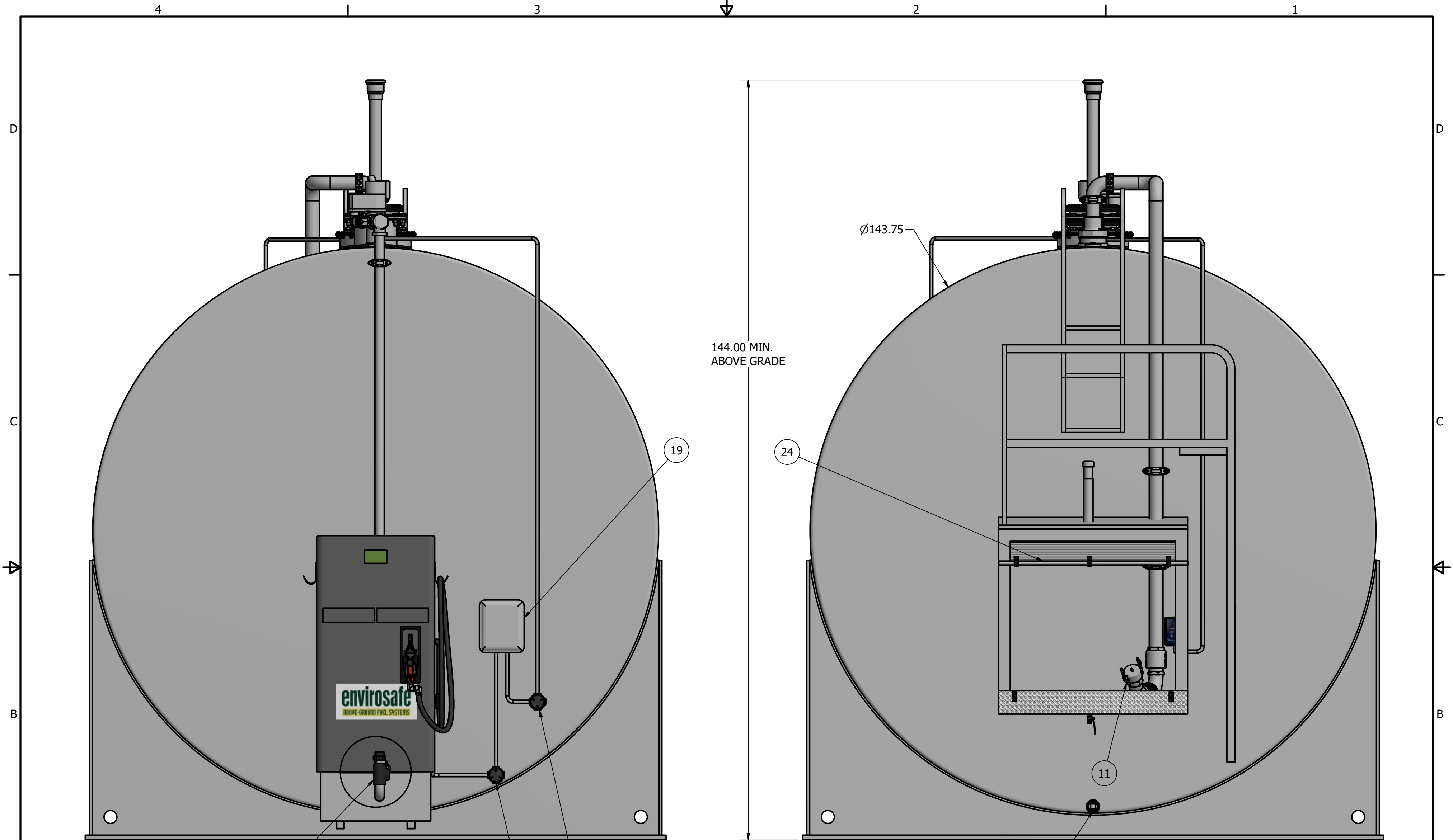
DRAWN BY	AP	4/16/2020
MEMCO REP		
QUOTE #	30000 GALLON FG DISPENSER	
Customer Approval Signature		

MEMCO, INC

envirosafe™
30,000 GALLON FIREGUARD DISPENSER SYSTEM
ABOVE-GROUND FUEL SYSTEMS

SIZE	DWG NO	REV
C	30000 GALLON FG DISPENSER	
SCALE	SHEET 2 OF 5	

This document and all information and design thereon are the property of Envirosafe Fuel Systems. This document is confidential and must not be made public or copied without written authorization from Envirosafe and is subject to return upon demand. No use of this document or any design thereon is permitted except as is specifically authorized in writing by Envirosafe. Acceptance of possession of this document constitutes full agreement with the above conditions. All Rights Reserved. Memco, Inc



220 V 1 PH
CONNECTION TO PUMP

110 V 1 PH
CONNECTION TO DISPENSER

144.00 MIN.
ABOVE GRADE

FOR MANUFACTURING
USE ONLY

147.50

IT IS THE CLIENT'S RESPONSIBILITY TO ENSURE SYSTEM COMPLIANCE WITH APPLICABLE REGULATIONS.

LEAD TIMES BEGIN UPON RECEIPT OF SIGNED APPROVED DRAWING, WHICH MUST BE RETURNED BEFORE PRODUCTION CAN BEGIN

#

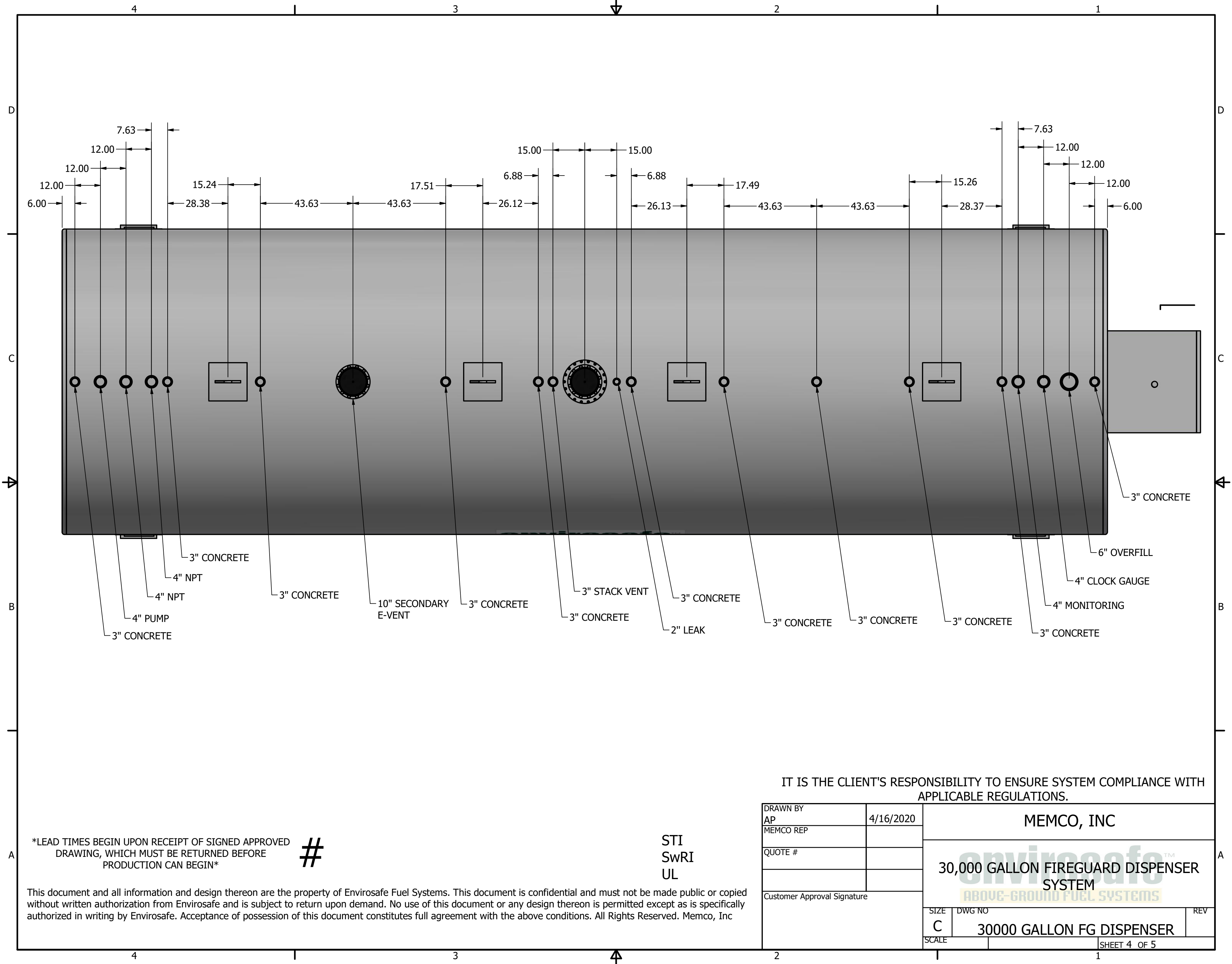
This document and all information and design thereon are the property of Envirosafe Fuel Systems. This document is confidential and must not be made public or copied without written authorization from Envirosafe and is subject to return upon demand. No use of this document or any design thereon is permitted except as is specifically authorized in writing by Envirosafe. Acceptance of possession of this document constitutes full agreement with the above conditions. All Rights Reserved. Memco, Inc

STI
SwRI
UL

DRAWN BY	AP	4/16/2020
MEMCO REP		
QUOTE #	30000 GALLON FG DISPENSER	
Customer Approval Signature		

MEMCO, INC		
		
30,000 GALLON FIREGUARD DISPENSER SYSTEM		

SIZE	DWG NO	REV
C	30000 GALLON FG DISPENSER	
SCALE	SHEET 3 OF 5	




LEAD TIMES BEGIN UPON RECEIPT OF SIGNED APPROVED DRAWING, WHICH MUST BE RETURNED BEFORE PRODUCTION CAN BEGIN

#

This document and all information and design thereon are the property of Envirosafe Fuel Systems. This document is confidential and must not be made public or copied without written authorization from Envirosafe and is subject to return upon demand. No use of this document or any design thereon is permitted except as is specifically authorized in writing by Envirosafe. Acceptance of possession of this document constitutes full agreement with the above conditions. All Rights Reserved. Memco, Inc


STI
SwRI
UL

IT IS THE CLIENT'S RESPONSIBILITY TO ENSURE SYSTEM COMPLIANCE WITH APPLICABLE REGULATIONS.

DRAWN BY AP		4/16/2020		MEMCO, INC	
MEMCO REP					
QUOTE #				 30,000 GALLON FIREGUARD DISPENSER SYSTEM <small>ABOVE-GROUND FUEL SYSTEMS</small>	
Customer Approval Signature					
SIZE C	DWG NO	30000 GALLON FG DISPENSER		REV	
SCALE				SHEET 4 OF 5	

PARTS LIST			
ITEM	QTY	DESCRIPTION	PART NUMBER
1	1	30,000 GALLON FIREGUARD TANK MOUNTED ON SADDLES	30000 FG TANK ASSEMBLY
2	1	18" MANWAY FOR EASY INNER TANK ACCESSIBILITY	P-18" MANWAY - 10
3	1	6 IN NPT THREADED FLANGE	P-SERIES-159
4	5	4 IN NPT THREADED FLANGE	P-SERIES 262
5	11	3" NPT THREADED FLANGE (CONCRETE PORT)	P- SERIES 260
6	1	3 IN NPT THREADED FLANGE	P-SERIES 260
7	2	2 IN NPT THREADED FLANGE	P-SERIES 158
8	2	10" 8 OZ. FLANGE E-VENT KIT	P-244OF-10080 AK
9	1	UL LISTED LOCKABLE 3'6"x4'2"x4' FILL BOX, CROSS BROKEN FOR EASY DRAINAGE, 2" STACK VENT AND 1/2" BALL VALVE	M-SMALL BOX
10	1	3" OVERFILL PREVENTION VALVE WITH TEST MECHANISM AND DIFFUSER	P-9095AA-3300AVEVR, P-9095ATM-0100 AM
11	1	3" GROUND LEVEL FILL WITH DUST CAP AND ADAPTOR	M-J FILL
12	1	STEP LADDER MOUNTED ON BOX TO ACCESS TOP OF TANK WITH HANDRAIL SYSTEM AND SAFETY SHIELD	M-STEP LADDER WITH HANDRAIL SYSTEM
13	1	918 CLOCK GAUGE WITH ALARM BOX & STANDARD FLOAT	P-918-0100AG
14	1	MONITORING CAP 2"	P-179M-0100AC
15	1	VALVE EMERGENCY SHUT-OFF 2"x1.5" CONTAINMENT BODY STYLE	P-636CU-0100 AVU
16	1	DISPENSER BENNETT SINGLE PRODUCT 3711SNR-18-J-P-SO DISPENSER w/10:1 PULSER (ENVIROSAFE LOGO ON DOOR)	P-3711SNR-18-J-P-SO
17	1	FE PETRO 3/4 HP w/RISER, 88IN - 149IN (240V 1 PH)	P-STP75-VL2-09
18	1	2" ANTI-SYPHON VALVE	P-6360300-11
19	1	ENCLOSURE ADALET HAZ LOC TYPE 4/7/9 8"x10"x6" W/ PAN & HINGES W/ 3-1/2" NPT CONDUIT	P-XCE081006N4
20	1	VALVE BALL 2IN	P-0740-30282
21	4	LIFTING LUG	S-LIFTING LUG NEW SIZE
22	1	INTERSTITIAL LEAK GAUGE	P-K-2-96
23	1	3" UPDRAFT STACK W/3" 354 SLIP ON	3" STACK, P-354-0300AV
24	1	ROM DOOR 3'x3'	P-ROM DOOR SMALL
25	1	TANK DECAL KIT (NOT SHOWN)	P-TANK DECAL KIT
26	1	TOUCH UP PAINT (NOT SHOWN AND SHIPPED SEPARATELY)	

IT IS THE CLIENT'S RESPONSIBILITY TO ENSURE SYSTEM COMPLIANCE WITH APPLICABLE REGULATIONS.

DRAWN BY AP	4/16/2020	MEMCO, INC	
MEMCO REP			
QUOTE #		 30,000 GALLON FIREGUARD DISPENSER SYSTEM	
Customer Approval Signature			
SCALE	C	DWG NO	REV
		30000 GALLON FG DISPENSER	
		SHEET 5 OF 5	

LEAD TIMES BEGIN UPON RECEIPT OF SIGNED APPROVED DRAWING, WHICH MUST BE RETURNED BEFORE PRODUCTION CAN BEGIN

#

STI
SwRI
UL

This document and all information and design thereon are the property of EnviroSafe Fuel Systems. This document is confidential and must not be made public or copied without written authorization from EnviroSafe and is subject to return upon demand. No use of this document or any design thereon is permitted except as is specifically authorized in writing by EnviroSafe. Acceptance of possession of this document constitutes full agreement with the above conditions. All Rights Reserved. Memco, Inc