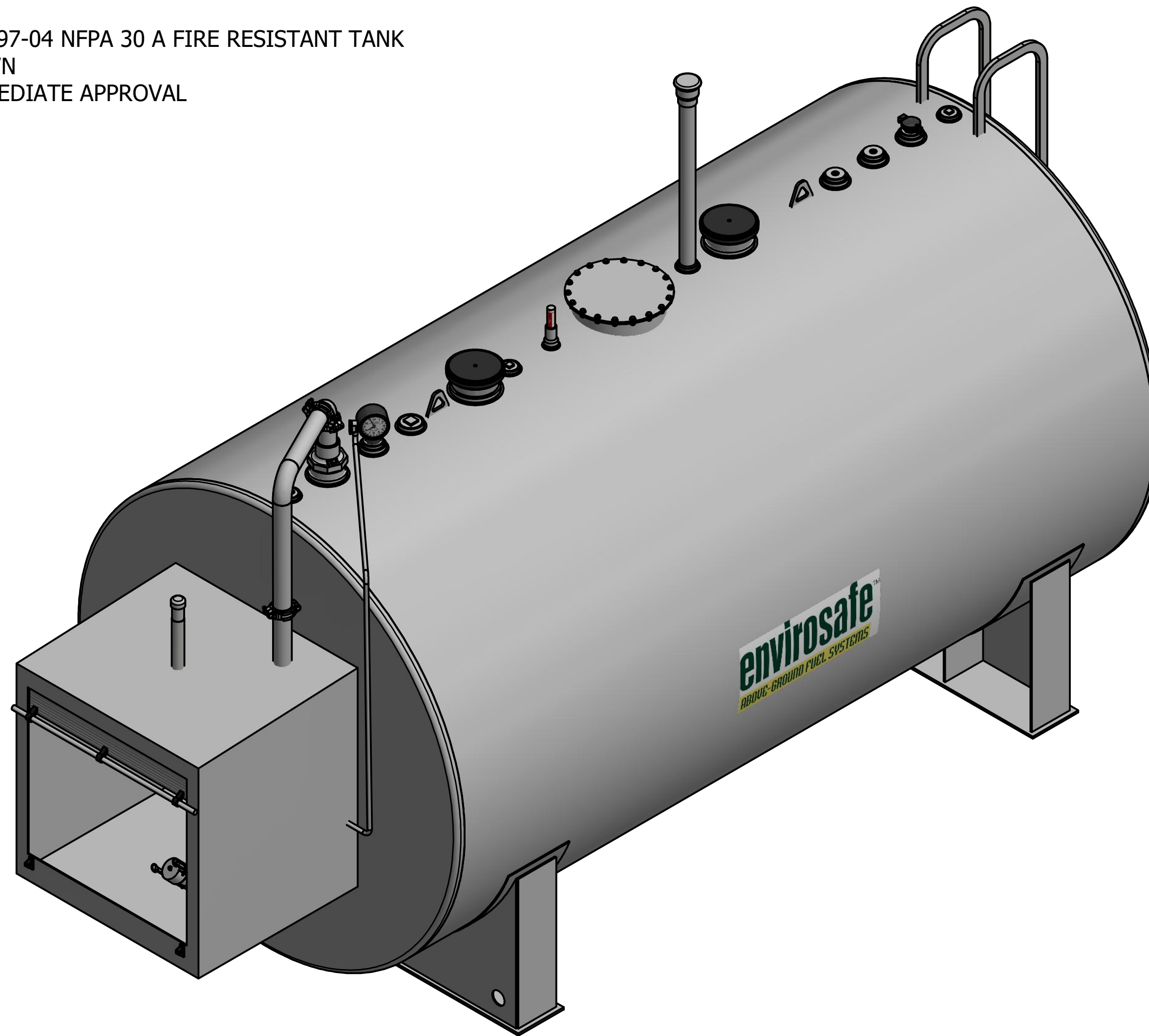


NOTES:

1. GAS/DIESEL USE
2. ENVIROLASTIC 940 DTM POLYASPARTIC URETHANE COATING FOR HIGH PERFORMANCE FINISH (MEMCO GREY)
3. UL 2085 LABELED AND LISTED
4. 2 HOUR RATING TESTED TO SWRI 97-04 NFPA 30 A FIRE RESISTANT TANK
5. ENGINEERED HURRICANE TIE-DOWN
6. LEAD TIME IS DEPENDENT ON IMMEDIATE APPROVAL




LEAD TIMES BEGIN UPON RECEIPT OF SIGNED APPROVED DRAWING, WHICH MUST BE RETURNED BEFORE PRODUCTION CAN BEGIN

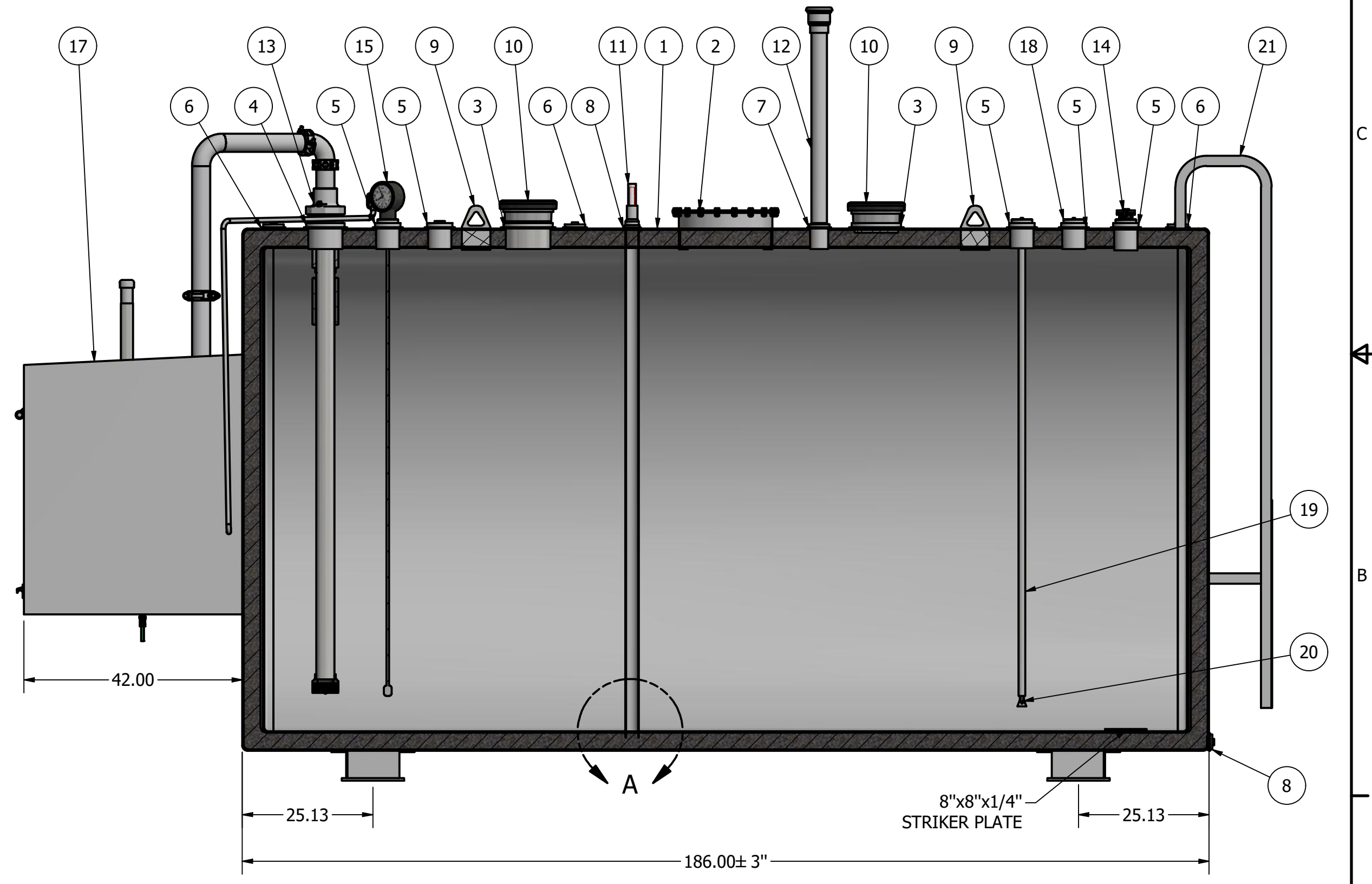
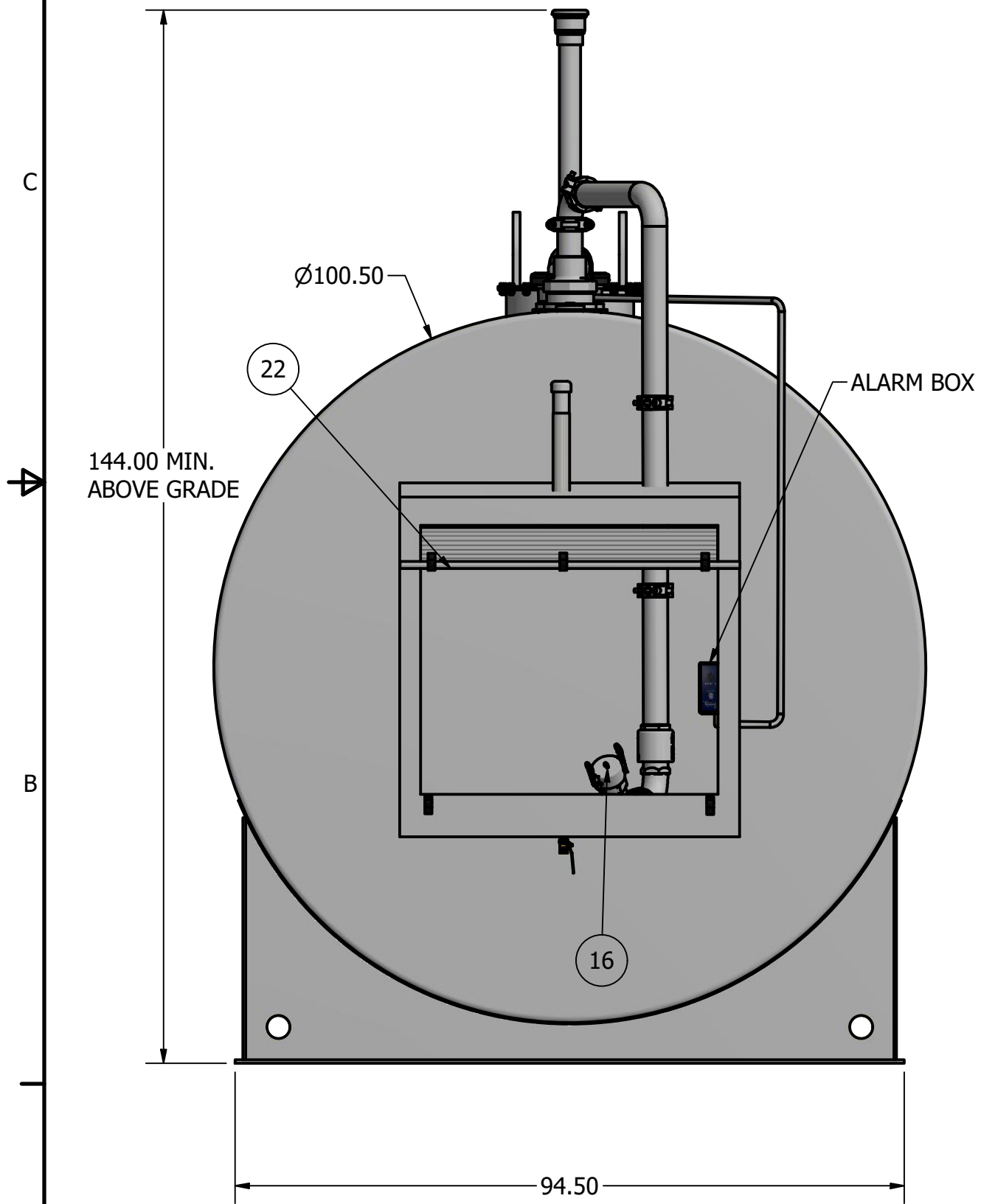
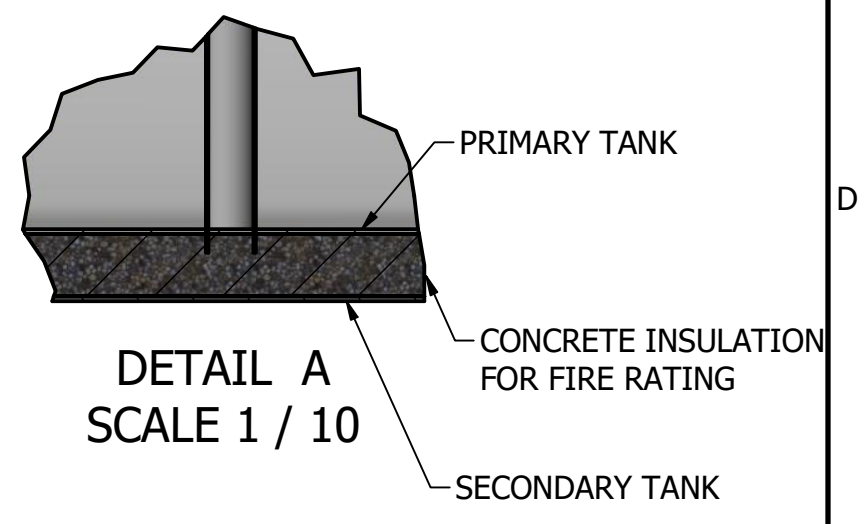
#

STI
SwRI
UL

This document and all information and design thereon are the property of Envirosafe Fuel Systems. This document is confidential and must not be made public or copied without written authorization from Envirosafe and is subject to return upon demand. No use of this document or any design thereon is permitted except as is specifically authorized in writing by Envirosafe. Acceptance of possession of this document constitutes full agreement with the above conditions. All Rights Reserved. Memco, Inc

DRAWN BY AP		9/23/2019		MEMCO, INC	
MEMCO REP				 5,000 GALLON FIREGUARD GENERATOR SYSTEM <small>ABOVE-GROUND FUEL SYSTEMS</small>	
QUOTE #5000 GALLON FG GENERATOR					
Customer Approval Signature				SIZE C	DWG NO
CUSTOMER REQUESTED COMPLETION DATE :				5000 GALLON FG GENERATOR	
				SCALE	REV
				SHEET 1 OF 4	

PARTS LIST			PARTS LIST		
ITEM	QTY	DESCRIPTION	ITEM	QTY	DESCRIPTION
1	1	5,000 GALLON FIREGUARD TANK MOUNTED ON SADDLES	14	1	MONITORING CAP 2"
2	1	18" MANWAY FOR EASY INNER TANK ACCESSIBILITY	15	1	918 CLOCK GAUGE WITH ALARM BOX & STANDARD FLOAT
3	2	8 IN NPT THREADED FLANGE	16	1	3" GROUND LEVEL FILL WITH DUST CAP AND ADAPTOR
4	1	6 IN NPT THREADED FLANGE	17	1	UL LISTED LOCKABLE 3'x4'2"x4' FILL BOX, CROSS BROKEN FOR EASY DRAINAGE, 2" STACK VENT AND 1/2" BALL VALVE
5	5	4 IN NPT THREADED FLANGE	18	1	MEMCO 1" RETURN LINE FITTINGS ONLY
6	3	3" NPT THREADED FLANGE (CONCRETE PORT)	19	1	1" PICK UP WITH DROP TUBE 6" ABOVE FROM BOTTOM OF TANK
7	1	3 IN NPT THREADED FLANGE	20	1	1" FOOT VALVE SINGLE POPPET
8	2	2 IN NPT THREADED FLANGE	21	1	STEP LADDER WITH SAFETY SHIELD
9	2	LIFTING LUG	22	1	ROM DOOR 3'x3'
10	2	VENT EMERGENCY 8IN 8OZ./SQ.IN- MALE THREAD- w/O-RING	23	1	TANK DECAL KIT (NOT SHOWN)
11	1	INTERSTITIAL LEAK GAUGE	24	1	TOUCH UP PAINT (NOT SHOWN AND SHIPPED SEPARATELY)
12	1	3" UPDRAFT STACK W/3" 354 SLIP ON			
13	1	3" OVERFILL PREVENTION VALVE WITH TEST MECHANISM AND DIFFUSER			



LEAD TIMES BEGIN UPON RECEIPT OF SIGNED APPROVED DRAWING, WHICH MUST BE RETURNED BEFORE PRODUCTION CAN BEGIN #

SHELL THICKNESS: 1/4"
HEAD THICKNESS: 5/16"

STI
SwRI
UL

DRAWN BY	AP	9/23/2019
MEMCO REP		
QUOTE #	5000 GALLON FG GENERATOR	
Customer Approval Signature		

MEMCO, INC

envirosafe[™]
ABOVE-GROUND FUEL SYSTEMS

5,000 GALLON FIREGUARD GENERATOR SYSTEM

SIZE	DWG NO	REV
C	5000 GALLON FG GENERATOR	
SCALE	SHEET 2 OF 4	

This document and all information and design thereon are the property of Envirosafe Fuel Systems. This document is confidential and must not be made public or copied without written authorization from Envirosafe and is subject to return upon demand. No use of this document or any design thereon is permitted except as is specifically authorized in writing by Envirosafe. Acceptance of possession of this document constitutes full agreement with the above conditions. All Rights Reserved. Memco, Inc