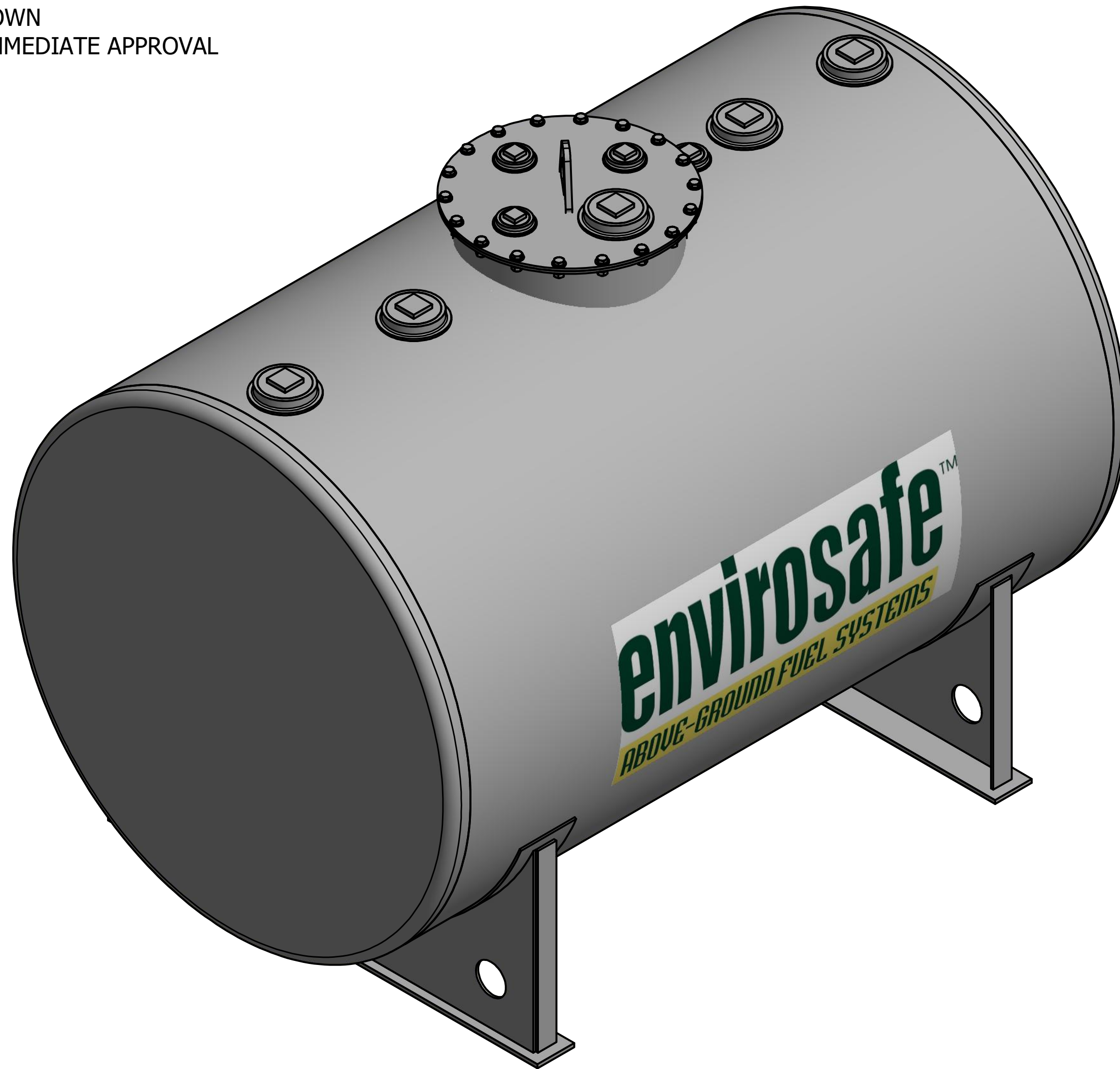


- NOTES:
1. GAS/DIESEL USE
  2. ENVIROLASTIC 940 DTM POLYASPARTIC URETHANE COATING FOR HIGH PERFORMANCE FINISH (MEMCO GREY)
  3. UL 142 LABELED AND LISTED
  4. ENGINEERED HURRICANE TIE-DOWN
  5. LEAD TIME IS DEPENDENT ON IMMEDIATE APPROVAL




\*LEAD TIMES BEGIN UPON RECEIPT OF SIGNED APPROVED DRAWING, WHICH MUST BE RETURNED BEFORE PRODUCTION CAN BEGIN\*

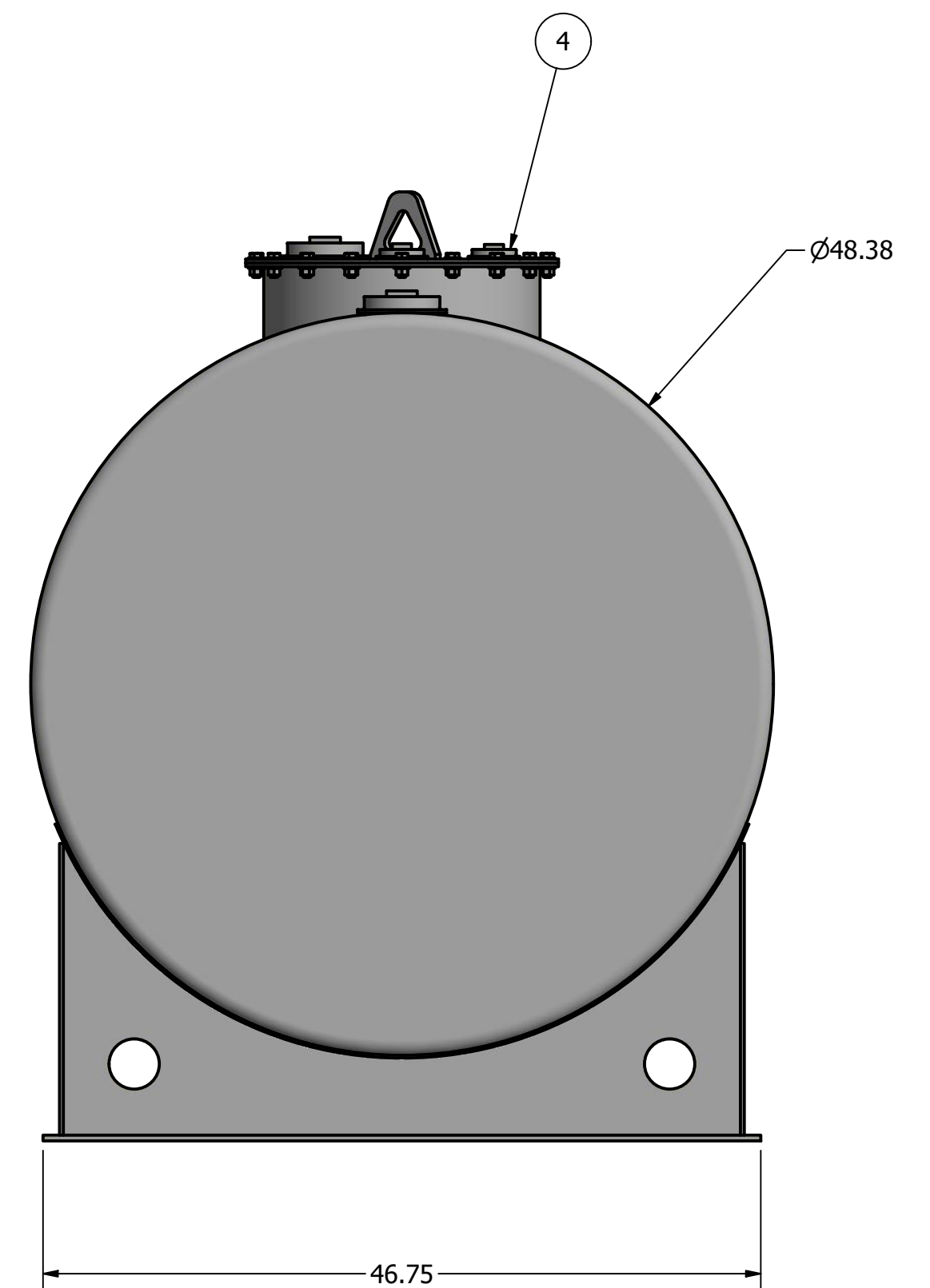
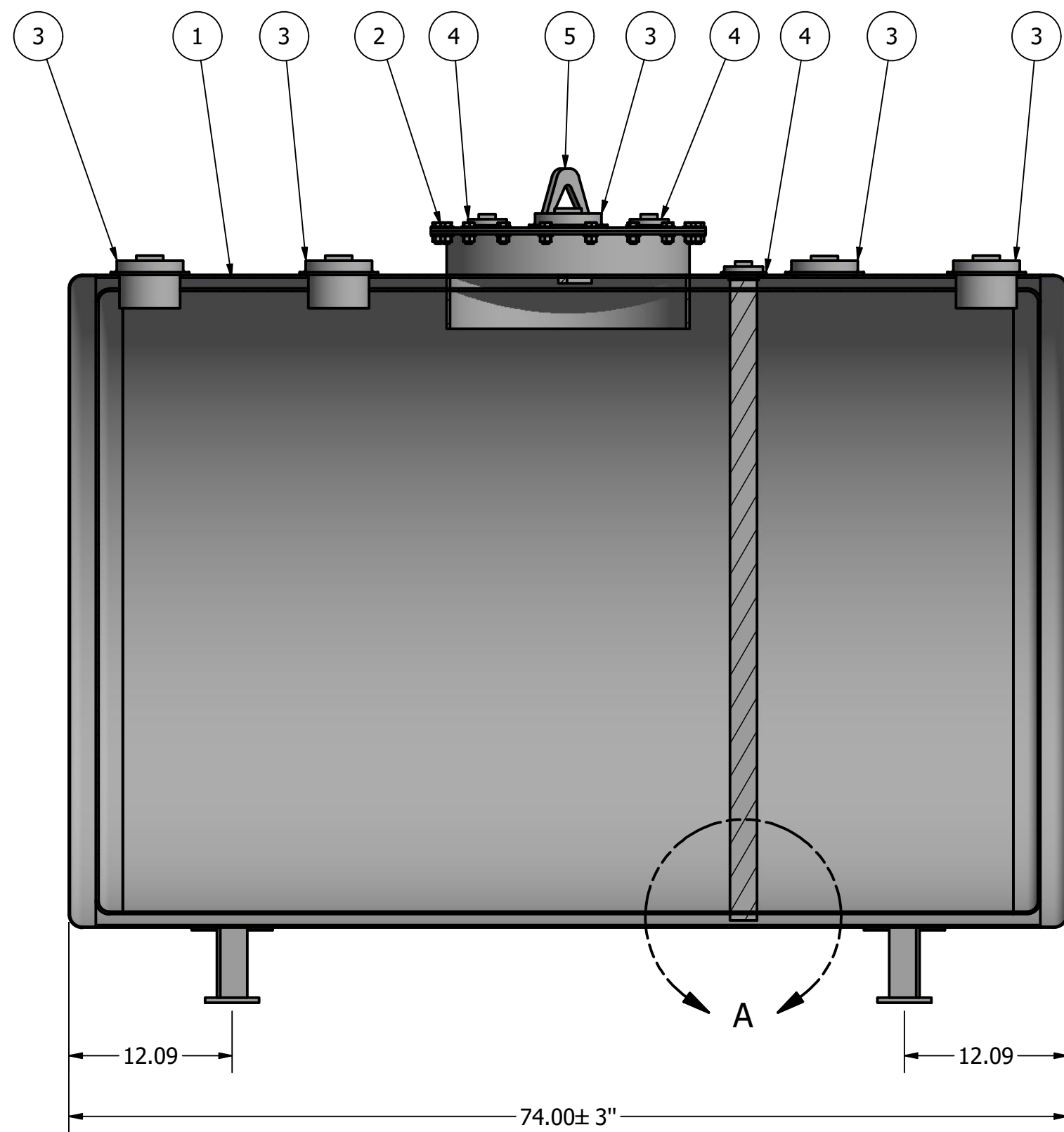
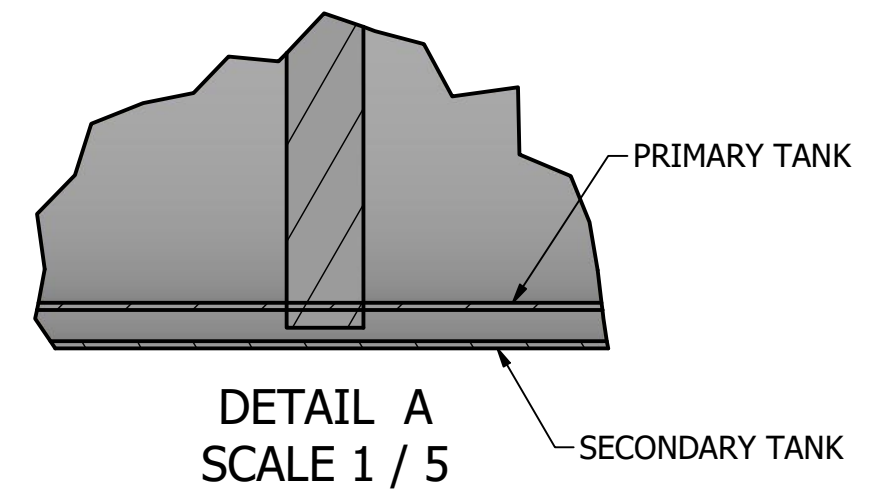
**#19223**

STI  
SwRI  
UL

This document and all information and design thereon are the property of EnviroSafe Fuel Systems. This document is confidential and must not be made public or copied without written authorization from EnviroSafe and is subject to return upon demand. No use of this document or any design thereon is permitted except as is specifically authorized in writing by EnviroSafe. Acceptance of possession of this document constitutes full agreement with the above conditions. All Rights Reserved. Memco, Inc

DRAWN BY AP	9/11/2019	MEMCO, INC	
MEMCO REP			
QUOTE #	TANK#19223		
Customer Approval Signature		500 GALLON FLAMESHIELD (STOCK TANK)	
CUSTOMER REQUESTED COMPLETION DATE :		SIZE C	DWG NO TANK#19223
		SCALE	REV
			SHEET 1 OF 3

PARTS LIST		
ITEM	QTY	DESCRIPTION
1	1	500 GALLON FLAMESHIELD TANK MOUNTED ON SADDLES
2	1	18" MANWAY FOR EASY INNER TANK ACCESSIBILITY
3	5	4 IN NPT THREADED FLANGE
4	4	2 IN NPT THREADED FLANGE
5	1	LIFTING LUG



\*LEAD TIMES BEGIN UPON RECEIPT OF SIGNED APPROVED DRAWING, WHICH MUST BE RETURNED BEFORE PRODUCTION CAN BEGIN\*

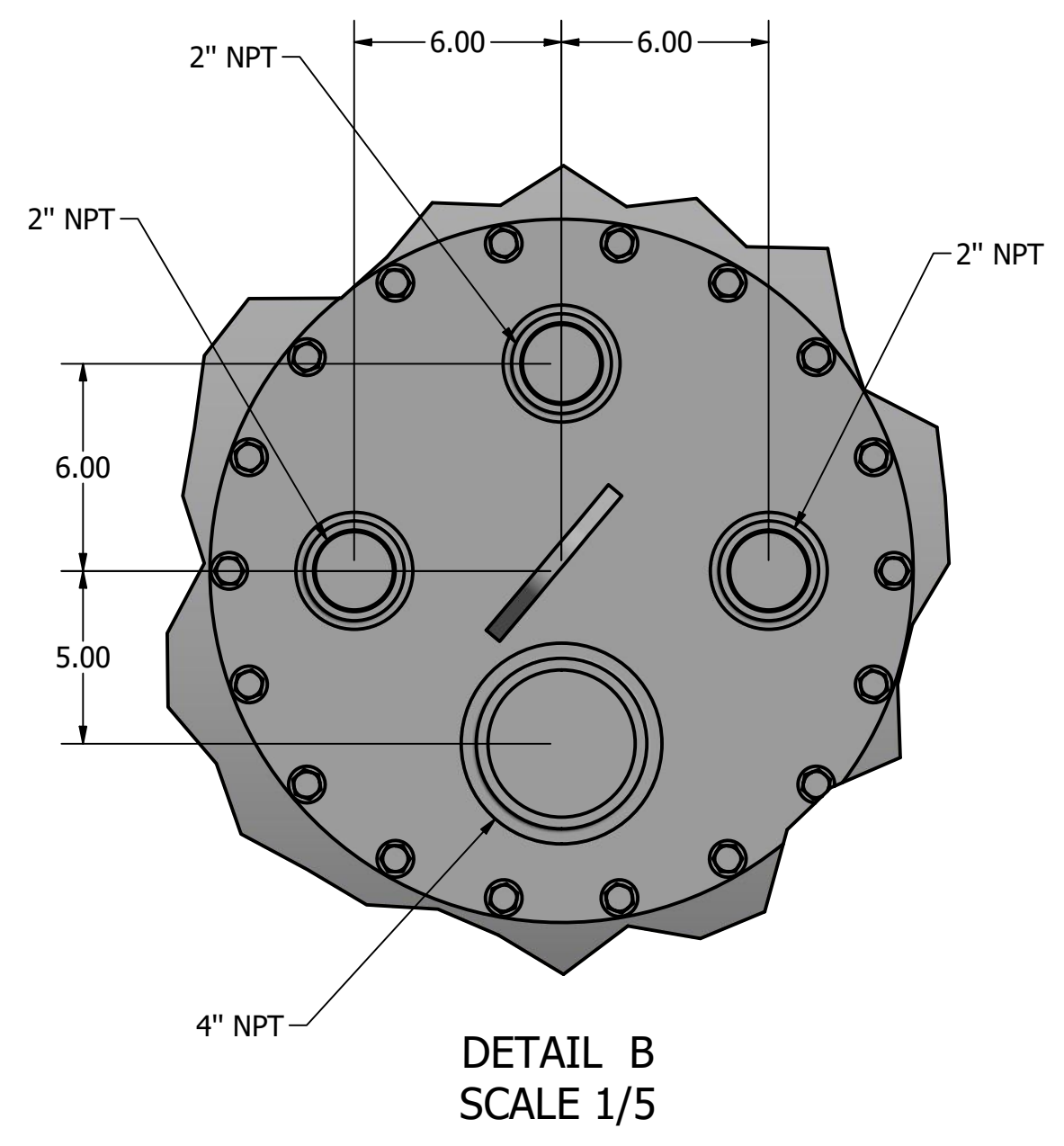
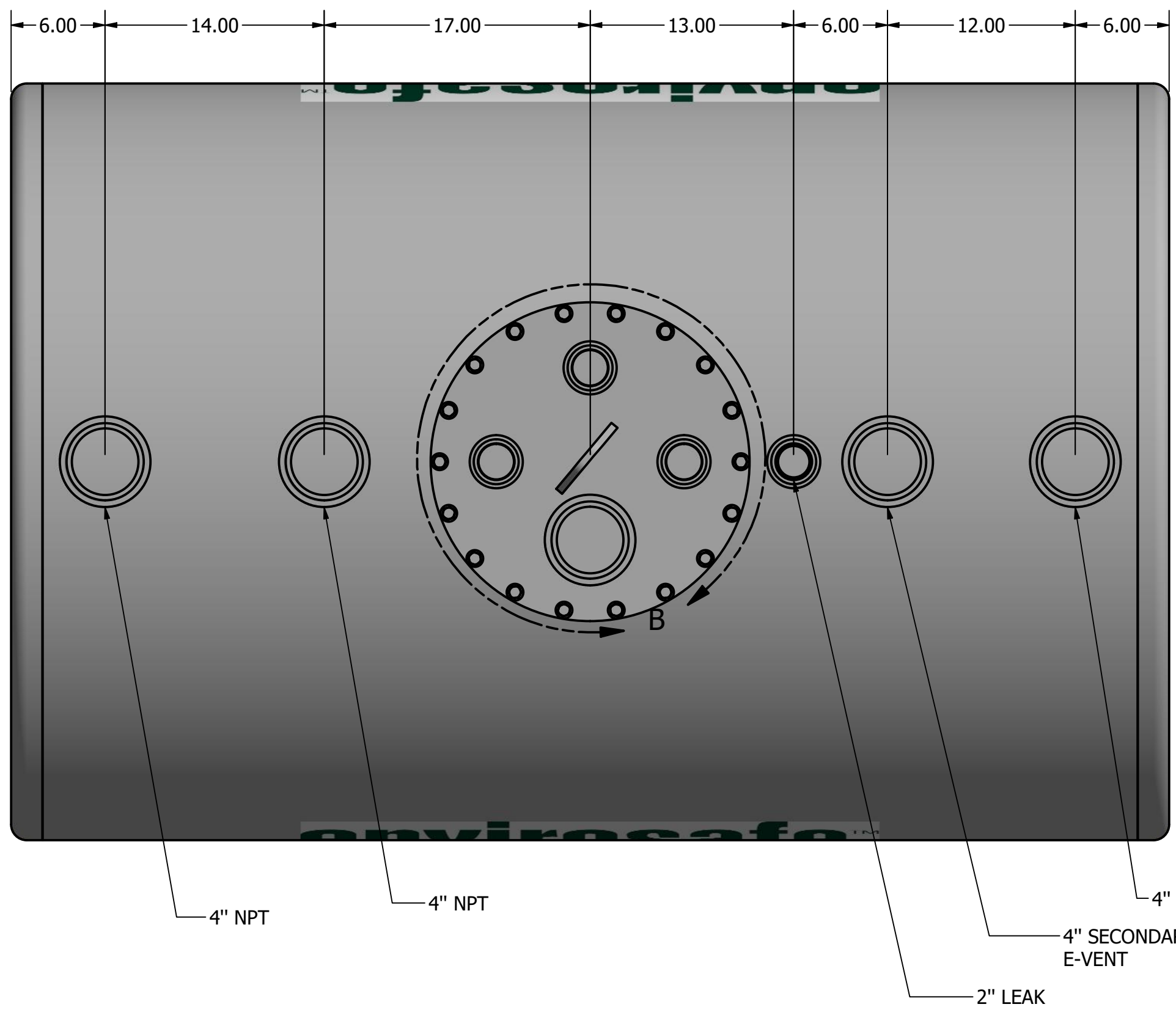
# #19223

SHELL THICKNESS: 3/16"  
HEAD THICKNESS: 1/4"

STI  
SwRI  
UL

This document and all information and design thereon are the property of Envirosafe Fuel Systems. This document is confidential and must not be made public or copied without written authorization from Envirosafe and is subject to return upon demand. No use of this document or any design thereon is permitted except as is specifically authorized in writing by Envirosafe. Acceptance of possession of this document constitutes full agreement with the above conditions. All Rights Reserved. Memco, Inc

DRAWN BY AP	9/11/2019	MEMCO, INC	
MEMCO REP		 500 GALLON FLAMESHIELD (STOCK TANK)	
QUOTE #	TANK#19223		
Customer Approval Signature		 ABOVE-GROUND FUEL SYSTEMS	REV
SIZE C	DWG NO TANK#19223		
SCALE		SHEET 2 OF 3	



PARTS LIST			
ITEM	QTY	DESCRIPTION	PART NUMBER
1	1	500 GALLON FLAMESHIELD TANK MOUNTED ON SADDLES	500-Gallon-Secondary-Tank-Test
2	1	18" MANWAY FOR EASY INNER TANK ACCESSIBILITY	P-18" MANWAY - 10
3	5	4 IN NPT THREADED FLANGE	P-SERIES 262
4	4	2 IN NPT THREADED FLANGE	P-SERIES 158
5	1	LIFTING LUG	LIFTING LUG SMALL

\*LEAD TIMES BEGIN UPON RECEIPT OF SIGNED APPROVED DRAWING, WHICH MUST BE RETURNED BEFORE PRODUCTION CAN BEGIN\*

# #19223

STI  
SwRI  
UL

This document and all information and design thereon are the property of Envirosafe Fuel Systems. This document is confidential and must not be made public or copied without written authorization from Envirosafe and is subject to return upon demand. No use of this document or any design thereon is permitted except as is specifically authorized in writing by Envirosafe. Acceptance of possession of this document constitutes full agreement with the above conditions. All Rights Reserved. Memco, Inc

DRAWN BY AP	9/11/2019	MEMCO, INC	
MEMCO REP			
QUOTE #	TANK#19223	 500 GALLON FLAMESHIELD (STOCK TANK)	
Customer Approval Signature			
SCALE	C	DWG NO	TANK#19223
		SHEET 3 OF 3	