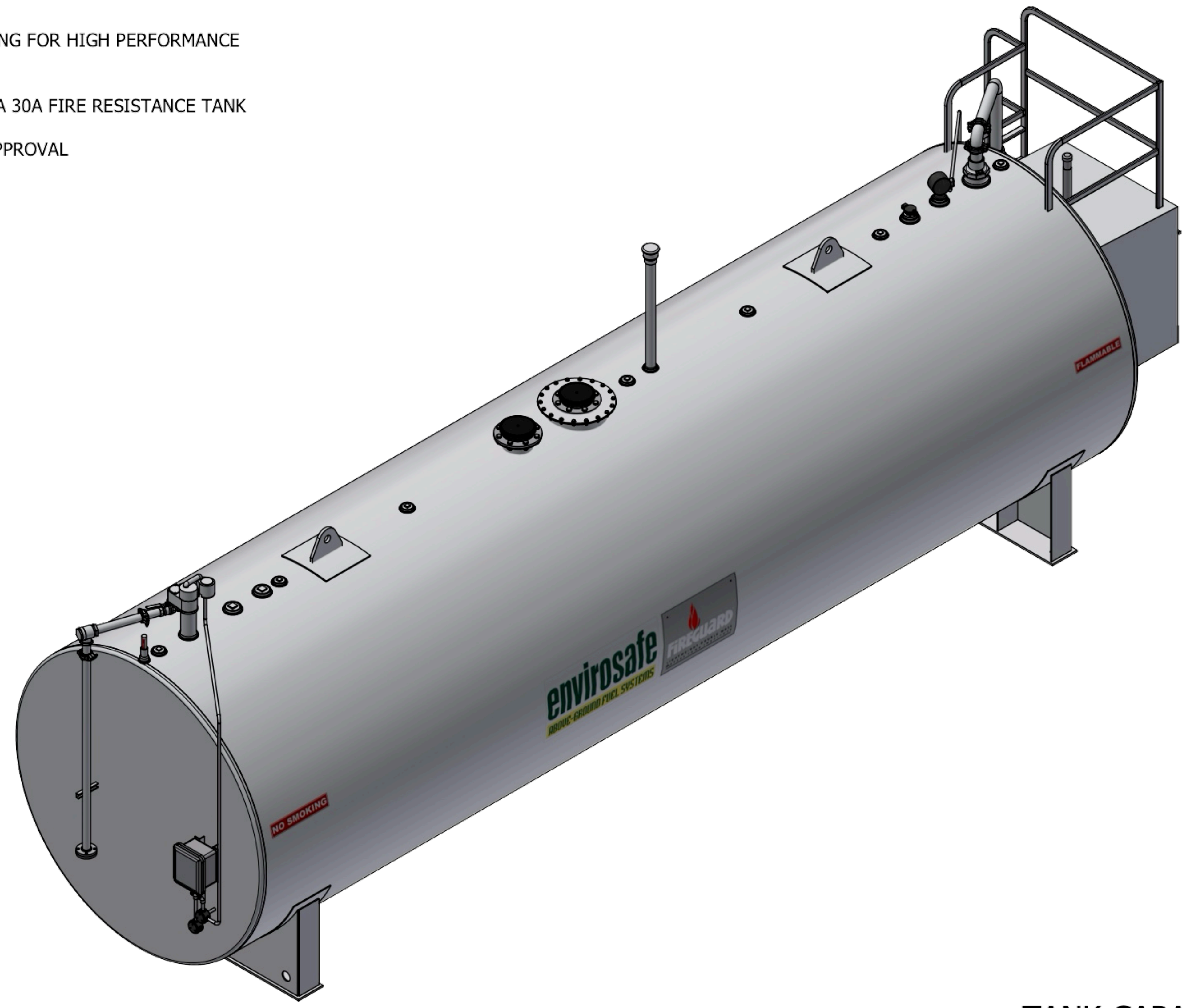


NOTES:

1. DIESEL USE
2. ENVIROLASTIC 940 LV POLYASPARTIC COATING FOR HIGH PERFORMANCE FINISH (WHITE)
3. UL 2085 LABELED AND LISTED
4. 2 HOUR RATING TESTED TO SwRI 97-04 NFPA 30A FIRE RESISTANCE TANK
5. TIE-DOWN POINTS ON SADDLES
6. LEAD TIME IS DEPENDENT ON IMMEDIATE APPROVAL



WEIGHT:
31,500 LB ±

WHITE

FIREGUARD
TANK CAPACITY: 10,000 GALLON

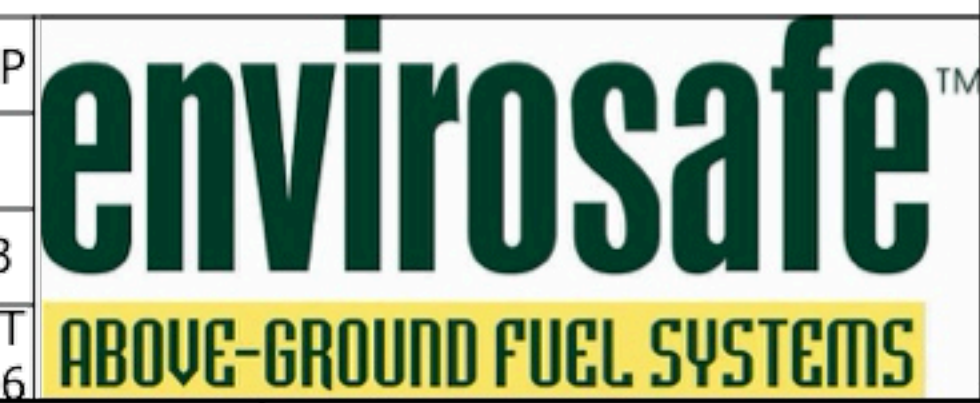
This document and all information and design thereon are the property of Envirosafe Fuel Systems. This document is confidential and must not be made public or copies without written authorization from Envirosafe and is subject to return upon demand. No use of this document or any design thereon is permitted except as is specifically authorized in writing by Envirosafe. Acceptance of possession of this document constitutes full agreement with the above conditions. All Rights Reserved. Memco, Inc.

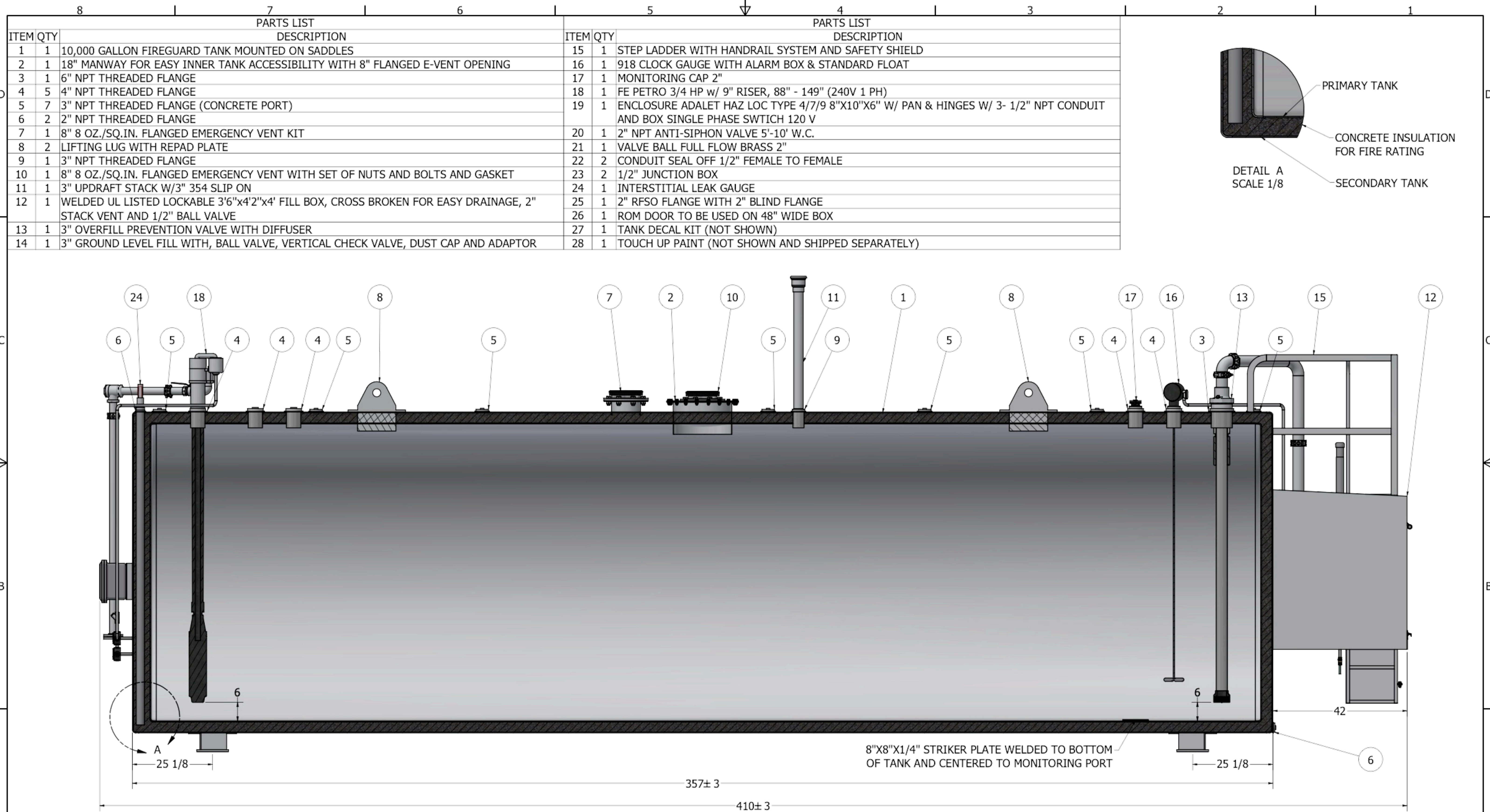
STI 46868	SwRI FG203523	UL D86742941
--------------	------------------	-----------------

IT IS THE CLIENT'S RESPONSIBILITY TO ENSURE SYSTEM COMPLIANCE WITH APPLICABLE REGULATIONS.
CUSTOMER APPROVAL:

ER VERSION #:10175 SALES ORDER #:0010968

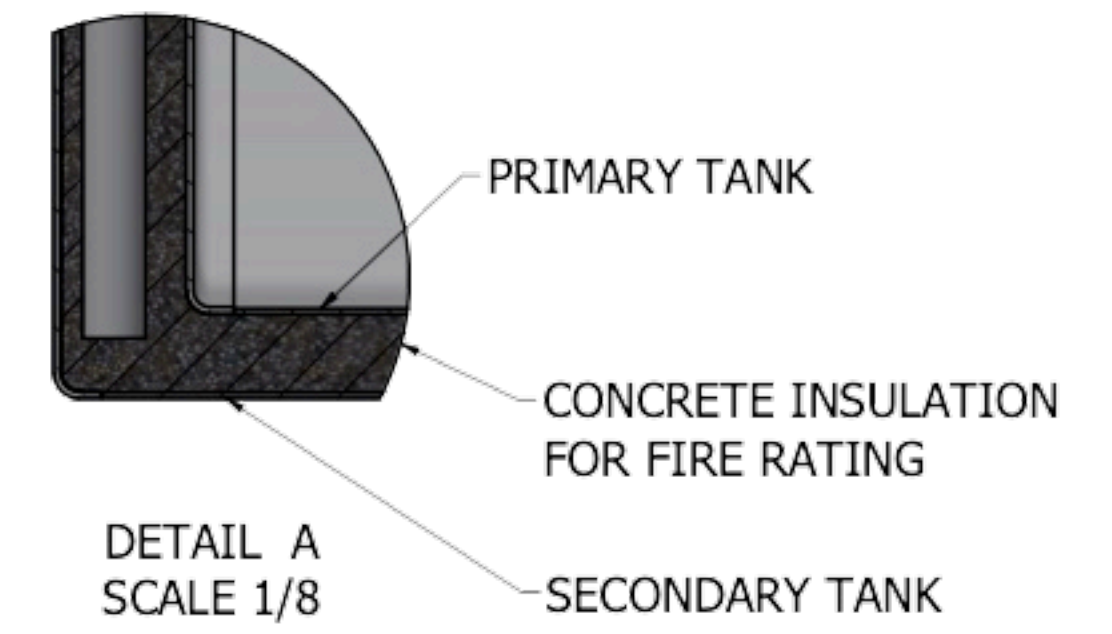
AUTHOR	AKSHAR P
SALES ER	JO
DATE	7/3/2023
SIZE	REV
D	1 OF 6





ITEM QTY		DESCRIPTION
1	1	10,000 GALLON FIREGUARD TANK MOUNTED ON SADDLES
2	1	18" MANWAY FOR EASY INNER TANK ACCESSIBILITY WITH 8" FLANGED E-VENT OPENING
3	1	6" NPT THREADED FLANGE
4	5	4" NPT THREADED FLANGE
5	7	3" NPT THREADED FLANGE (CONCRETE PORT)
6	2	2" NPT THREADED FLANGE
7	1	8" 8 OZ./SQ.IN. FLANGED EMERGENCY VENT KIT
8	2	LIFTING LUG WITH REPAD PLATE
9	1	3" NPT THREADED FLANGE
10	1	8" 8 OZ./SQ.IN. FLANGED EMERGENCY VENT WITH SET OF NUTS AND BOLTS AND GASKET
11	1	3" UPDRAFT STACK W/3" 354 SLIP ON
12	1	WELDED UL LISTED LOCKABLE 3'6"x4'2"x4' FILL BOX, CROSS BROKEN FOR EASY DRAINAGE, 2" STACK VENT AND 1/2" BALL VALVE
13	1	3" OVERFILL PREVENTION VALVE WITH DIFFUSER
14	1	3" GROUND LEVEL FILL WITH, BALL VALVE, VERTICAL CHECK VALVE, DUST CAP AND ADAPTOR

ITEM QTY		DESCRIPTION
15	1	STEP LADDER WITH HANDRAIL SYSTEM AND SAFETY SHIELD
16	1	918 CLOCK GAUGE WITH ALARM BOX & STANDARD FLOAT
17	1	MONITORING CAP 2"
18	1	FE PETRO 3/4 HP w/ 9" RISER, 88" - 149" (240V 1 PH)
19	1	ENCLOSURE ADALET HAZ LOC TYPE 4/7/9 8"X10"X6" W/ PAN & HINGES W/ 3- 1/2" NPT CONDUIT AND BOX SINGLE PHASE SWTICH 120 V
20	1	2" NPT ANTI-SIPHON VALVE 5'-10' W.C.
21	1	VALVE BALL FULL FLOW BRASS 2"
22	2	CONDUIT SEAL OFF 1/2" FEMALE TO FEMALE
23	2	1/2" JUNCTION BOX
24	1	INTERSTITIAL LEAK GAUGE
25	1	2" RFSO FLANGE WITH 2" BLIND FLANGE
26	1	ROM DOOR TO BE USED ON 48" WIDE BOX
27	1	TANK DECAL KIT (NOT SHOWN)
28	1	TOUCH UP PAINT (NOT SHOWN AND SHIPPED SEPARATELY)



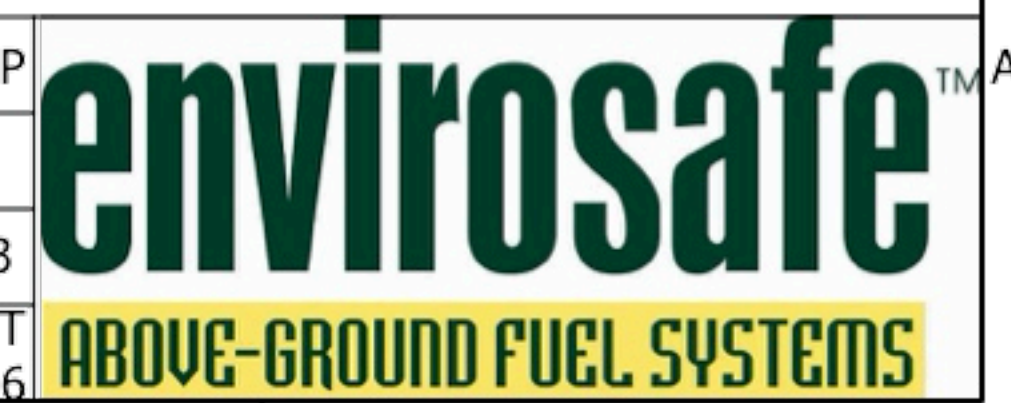
This document and all information and design thereon are the property of Envirosafe Fuel Systems. This document is confidential and must not be made public or copies without written authorization from Envirosafe and is subject to return upon demand. No use of this document or any design thereon is permitted except as is specifically authorized in writing by Envirosafe. Acceptance of possession of this document constitutes full agreement with the above conditions. All Rights Reserved. Memco, Inc.

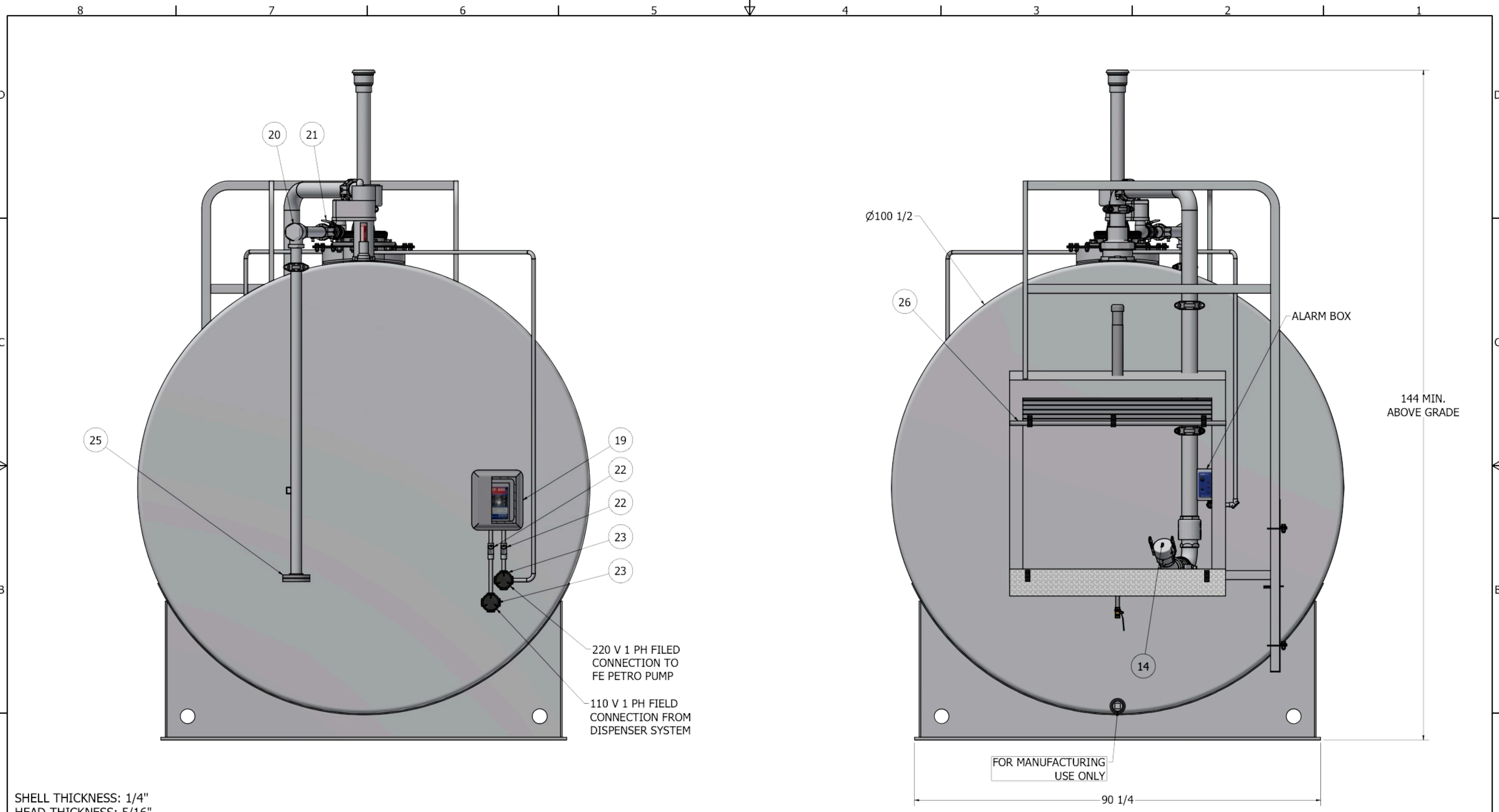
STI 46868	SwRI FG203523	UL D86742941
--------------	------------------	-----------------

IT IS THE CLIENT'S RESPONSIBILITY TO ENSURE SYSTEM COMPLIANCE WITH APPLICABLE REGULATIONS.
CUSTOMER APPROVAL:

ER VERSION #:10175	SALES ORDER #:0010968
--------------------	-----------------------

AUTHOR	AKSHAR P
SALES ER	JO
DATE	7/3/2023
SIZE	REV
D	SHEET 2 OF 6





SHELL THICKNESS: 1/4"
 HEAD THICKNESS: 5/16"

220 V 1 PH FIELD CONNECTION TO FE PETRO PUMP
 110 V 1 PH FIELD CONNECTION FROM DISPENSER SYSTEM

This document and all information and design thereon are the property of Envirosafe Fuel Systems. This document is confidential and must not be made public or copies without written authorization from Envirosafe and is subject to return upon demand. No use of this document or any design thereon is permitted except as is specifically authorized in writing by Envirosafe. Acceptance of possession of this document constitutes full agreement with the above conditions. All Rights Reserved. Memco, Inc.

STI 46868	SwRI FG203523	UL D86742941
--------------	------------------	-----------------

IT IS THE CLIENT'S RESPONSIBILITY TO ENSURE SYSTEM COMPLIANCE WITH APPLICABLE REGULATIONS.
 CUSTOMER APPROVAL:

ER VERSION #:10175 SALES ORDER #:0010968

AUTHOR	AKSHAR P
SALES ER	JO
DATE	7/3/2023
SIZE	D
REV	3 OF 6

